

42077 C - Alternate Model - HotRod



© Alexis Vilvert 2018

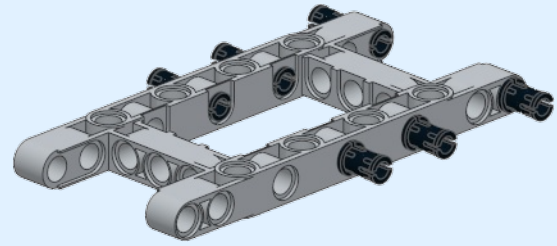
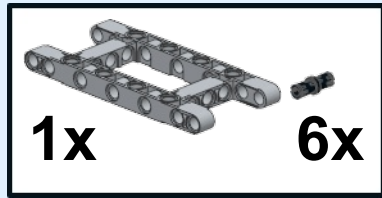
<http://lego.vilvert.com>

Revision 1 (2018/08/26)

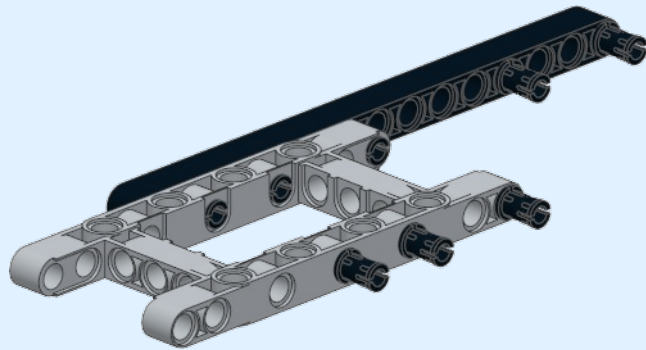
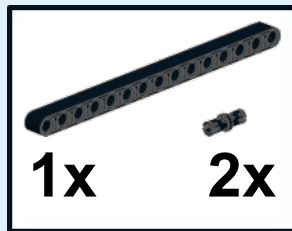
Technical feedback : Anio, mathieulego & MrBleu (from techlug.fr)

Fix : MrBleu

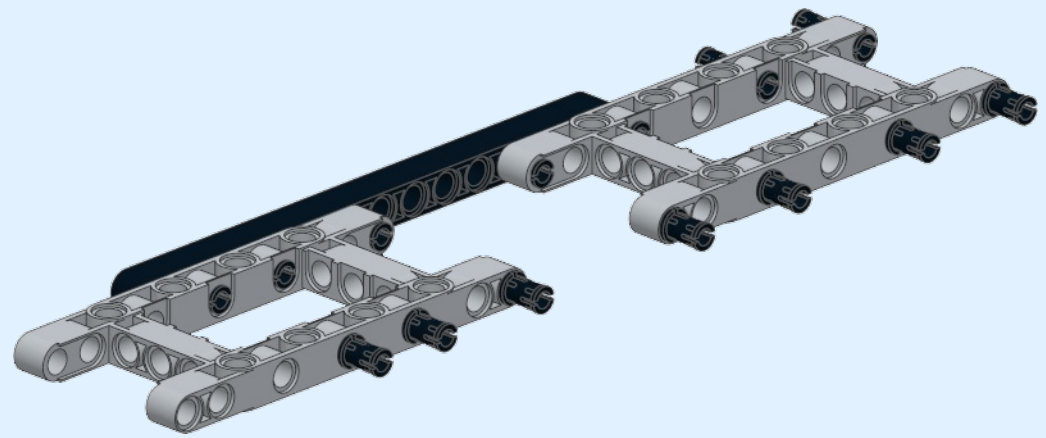
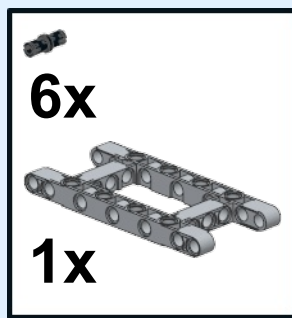
1



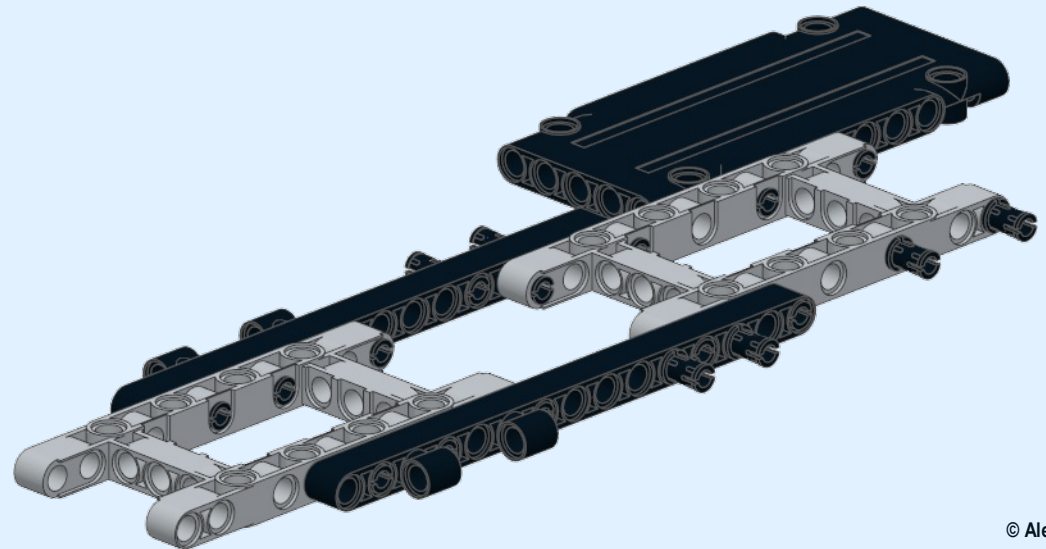
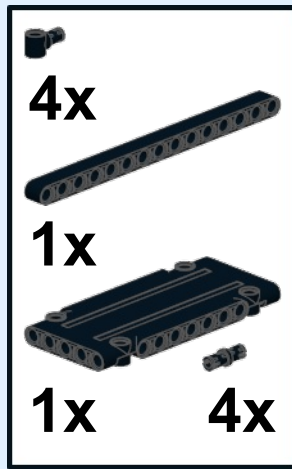
2

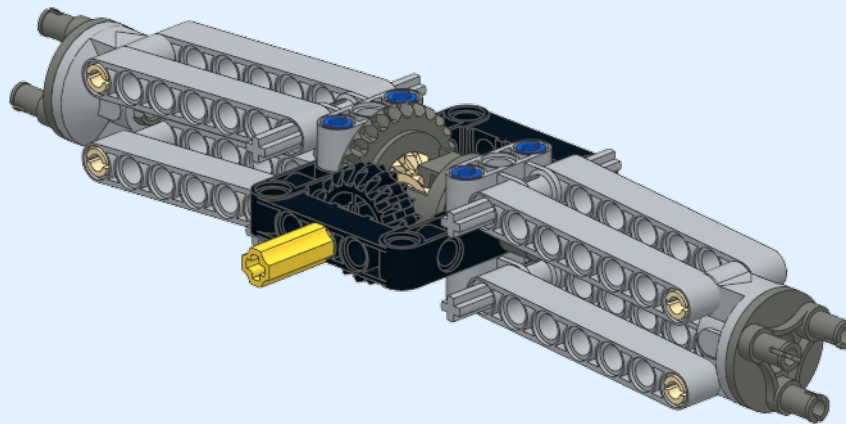
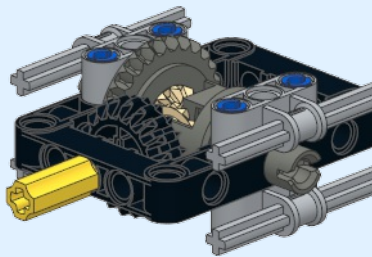
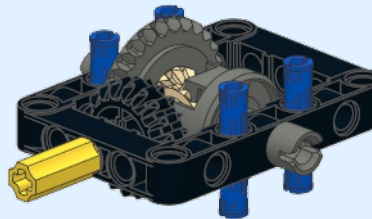
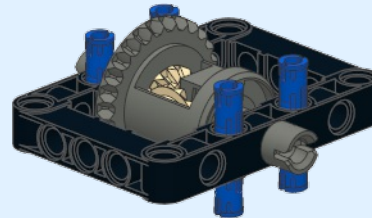
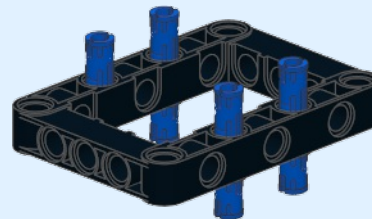
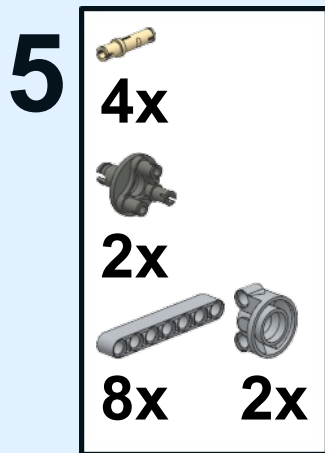
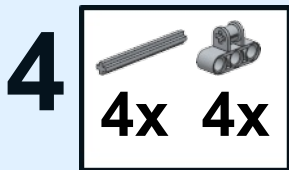
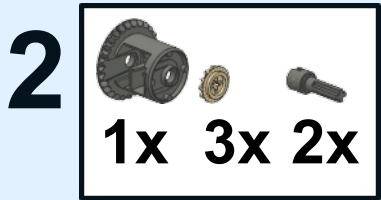
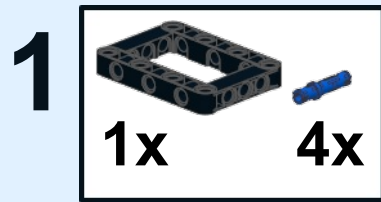


3

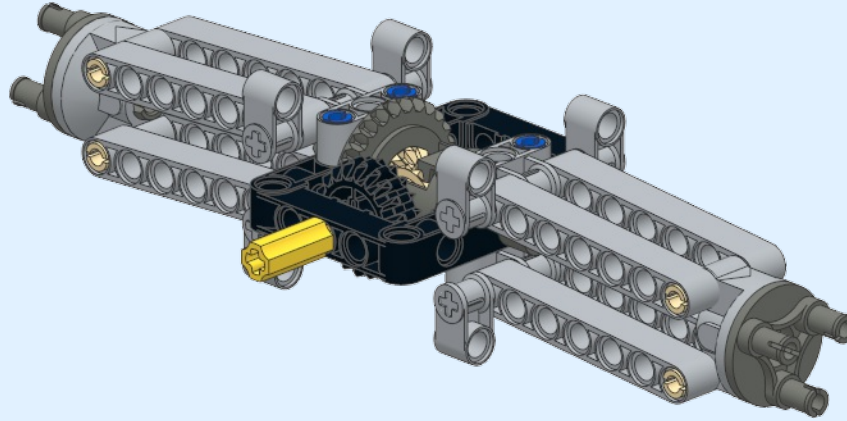


4

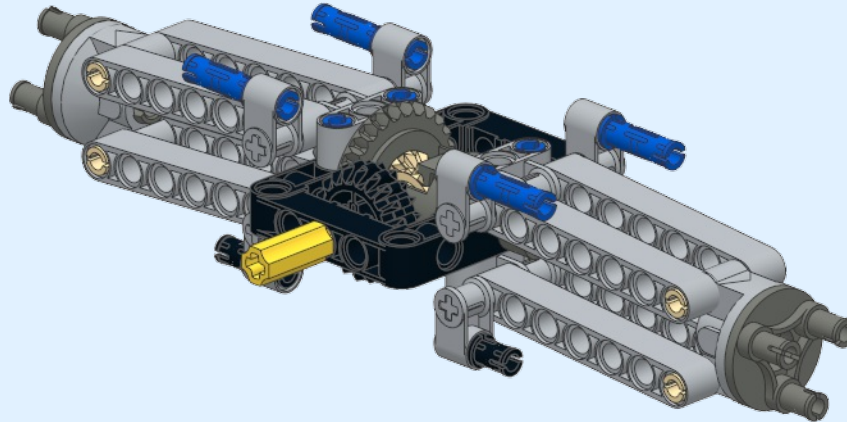








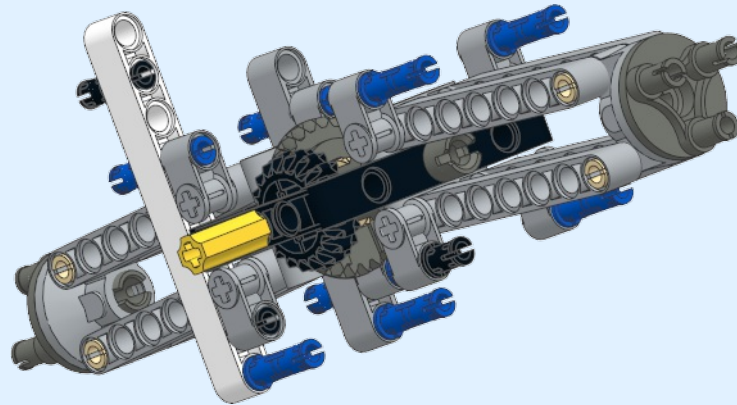
6  **8x**



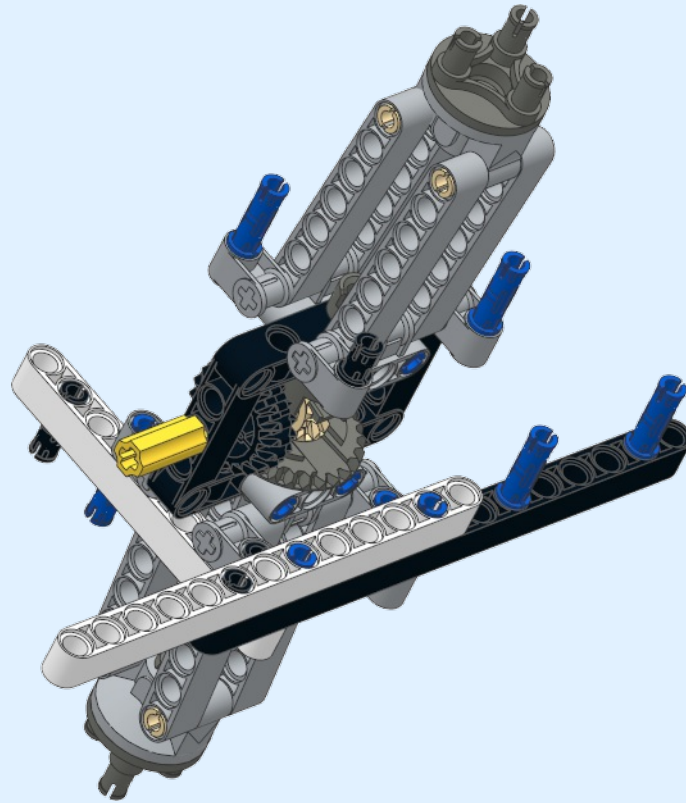
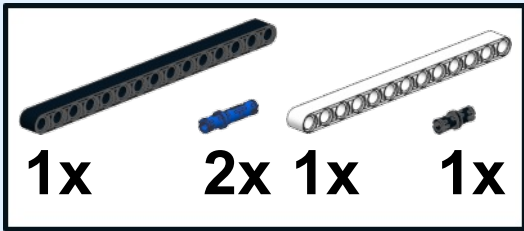
7  **2x**
 **6x**



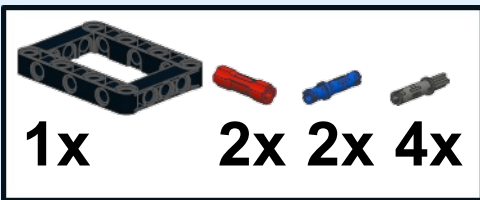
8  **1x**
 **1x**
 **1x**  **2x**



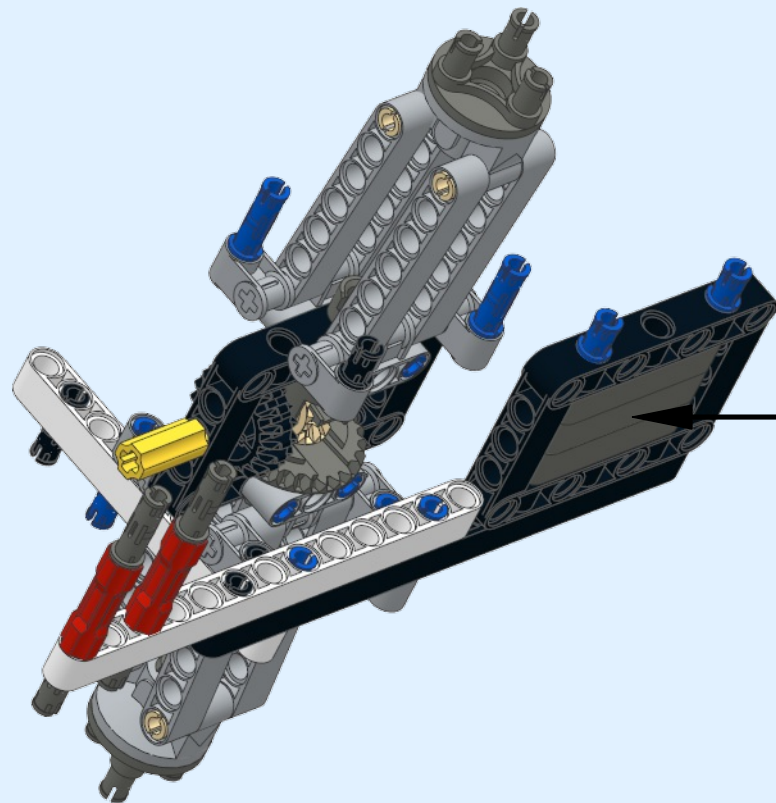
9



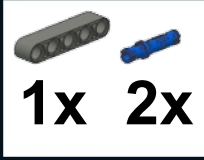
10



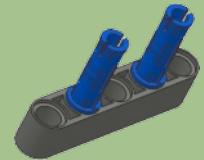
1x 2x 2x 4x




1



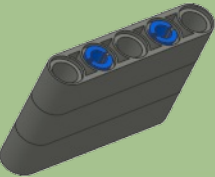
1x 2x






2

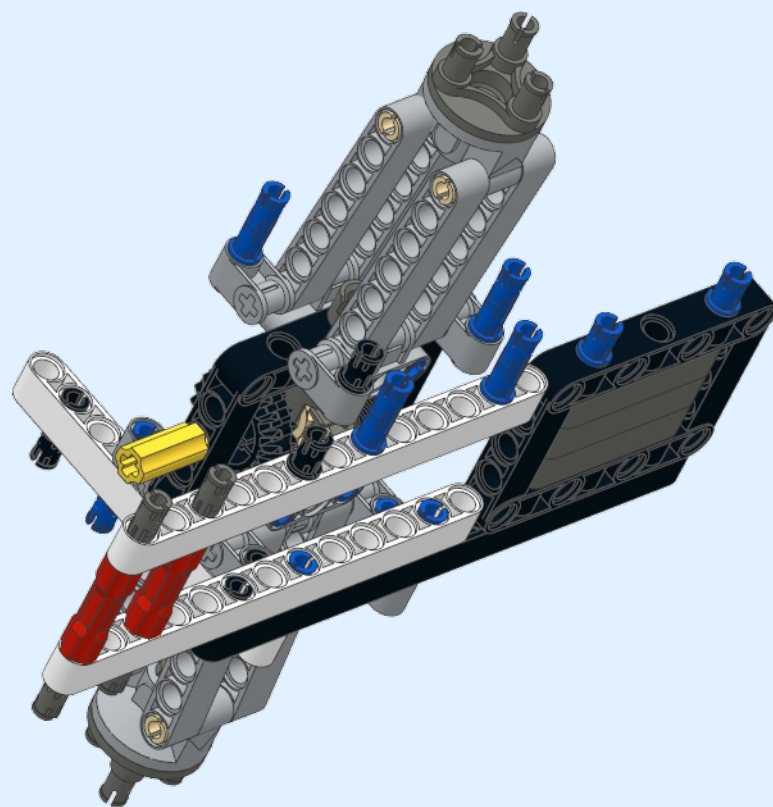


2x

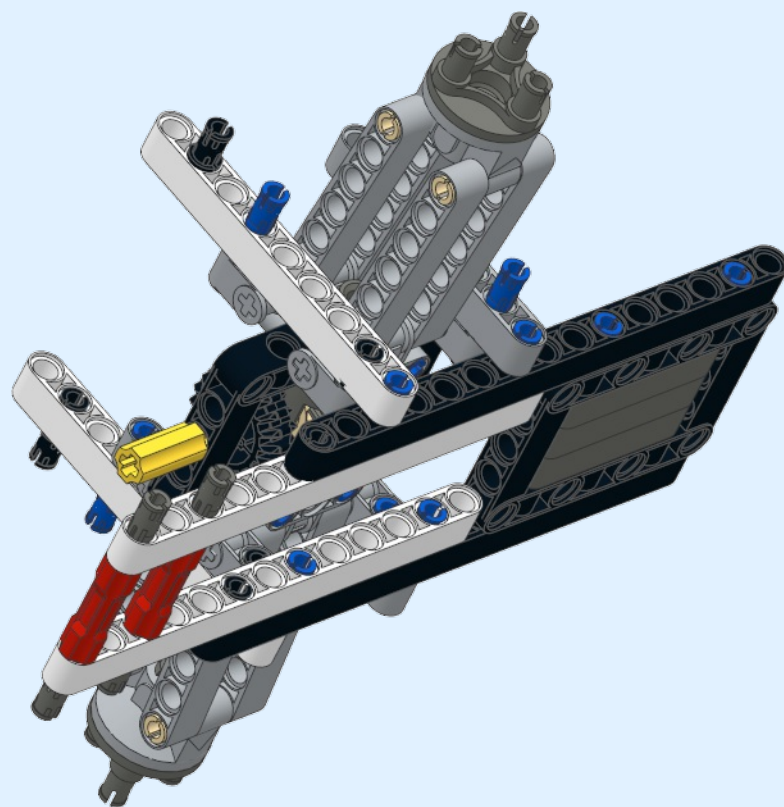
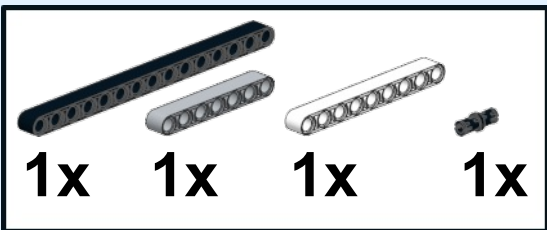


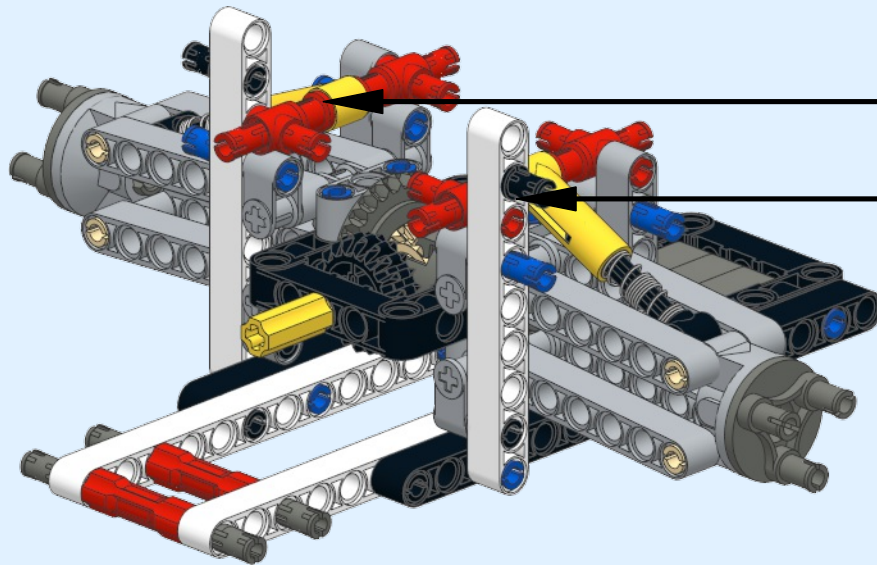
11




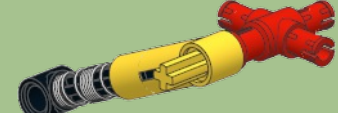
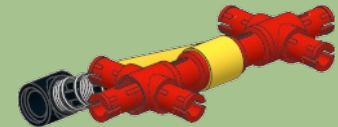
	
1x	
1x	
2x	



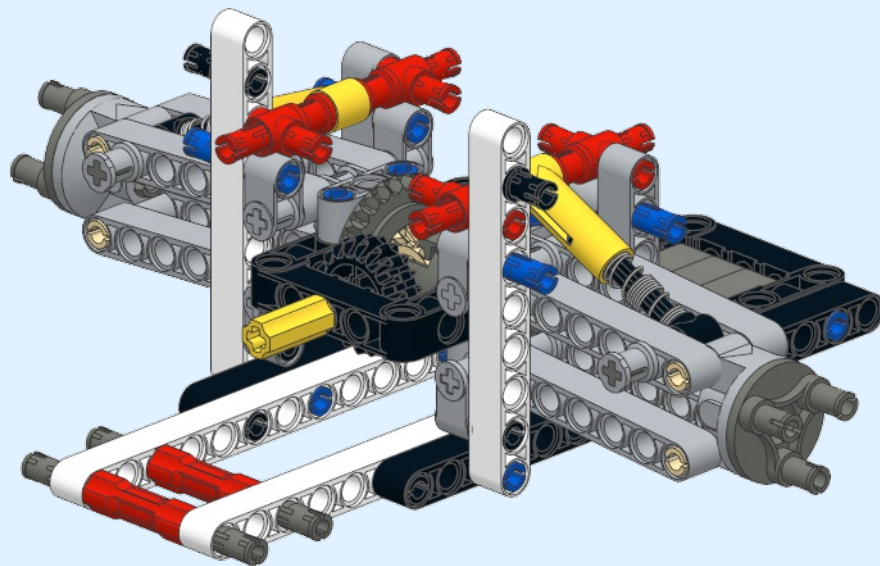
12



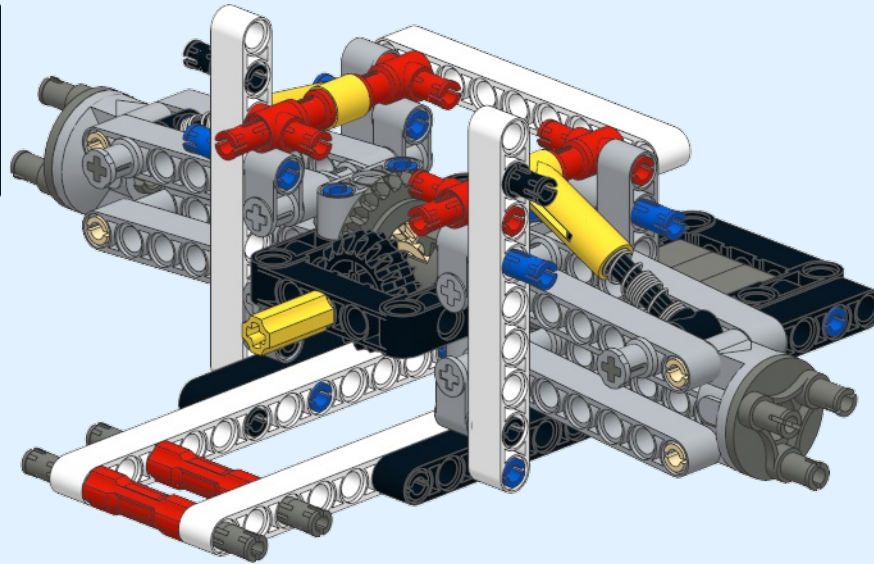
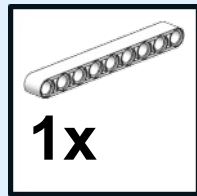


1	 1x 1x
2	 1x 1x
3	 1x 1x
	  x2

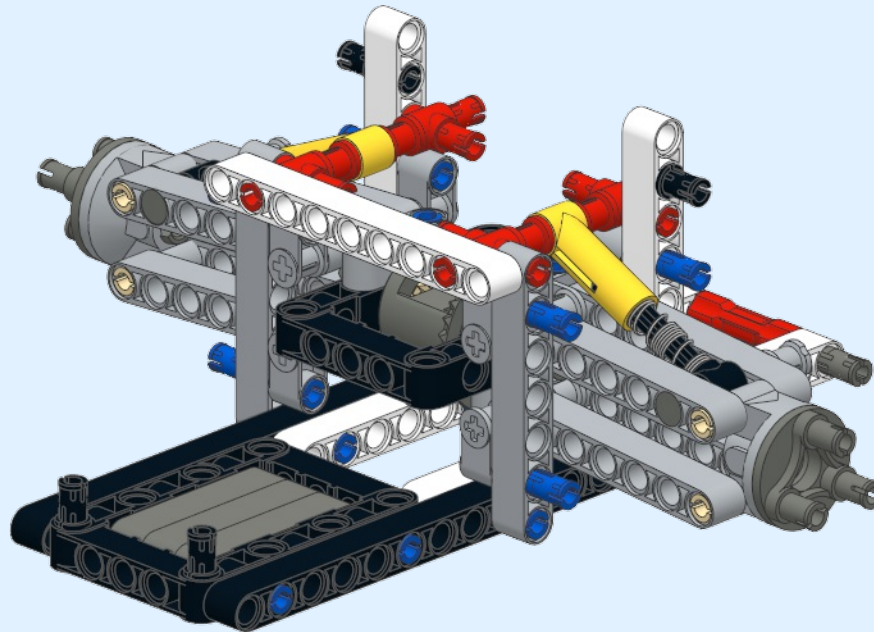
14



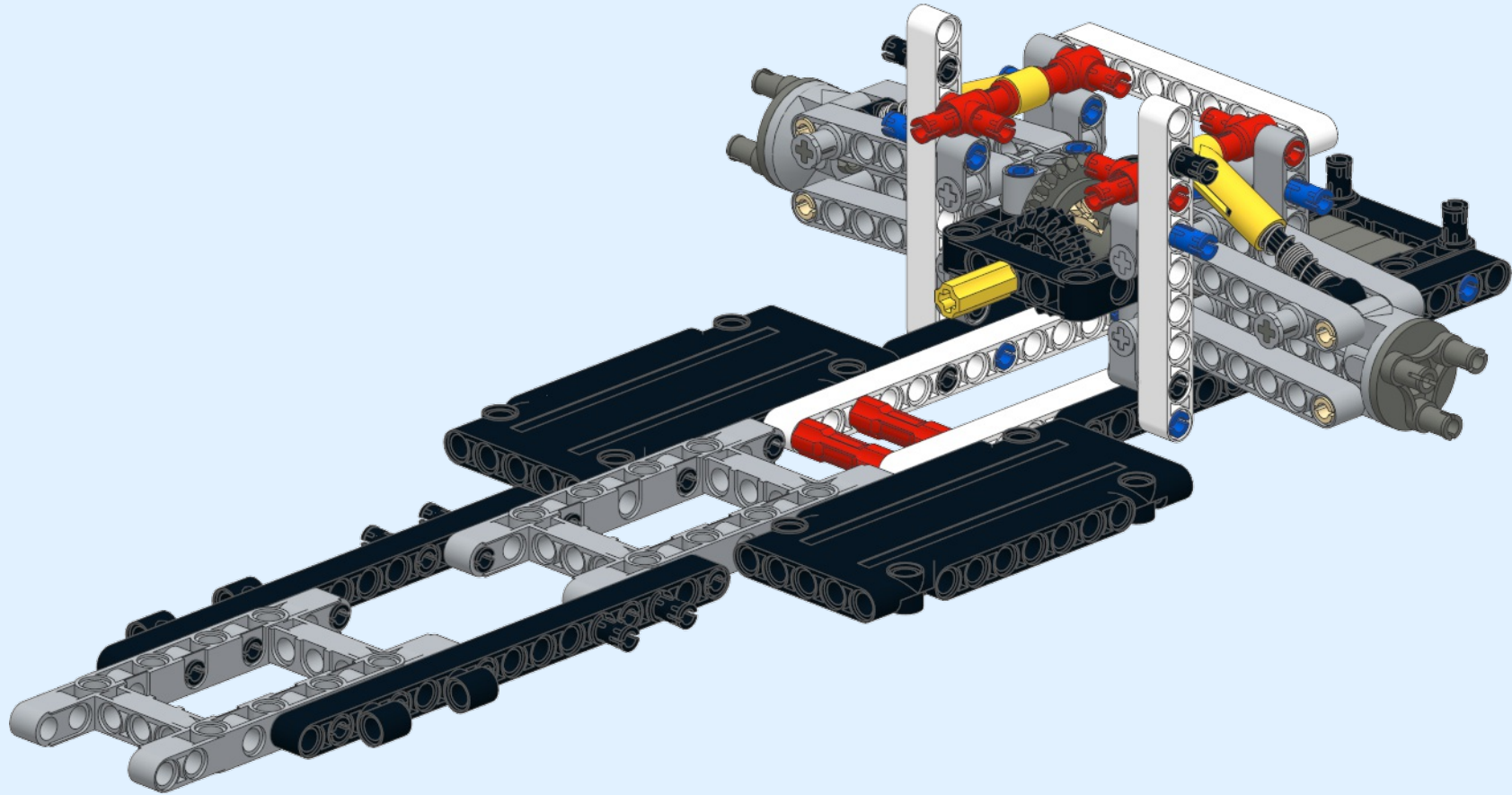
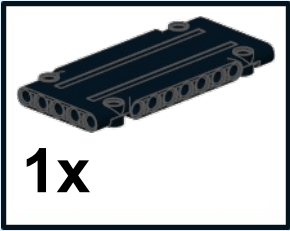
15



16

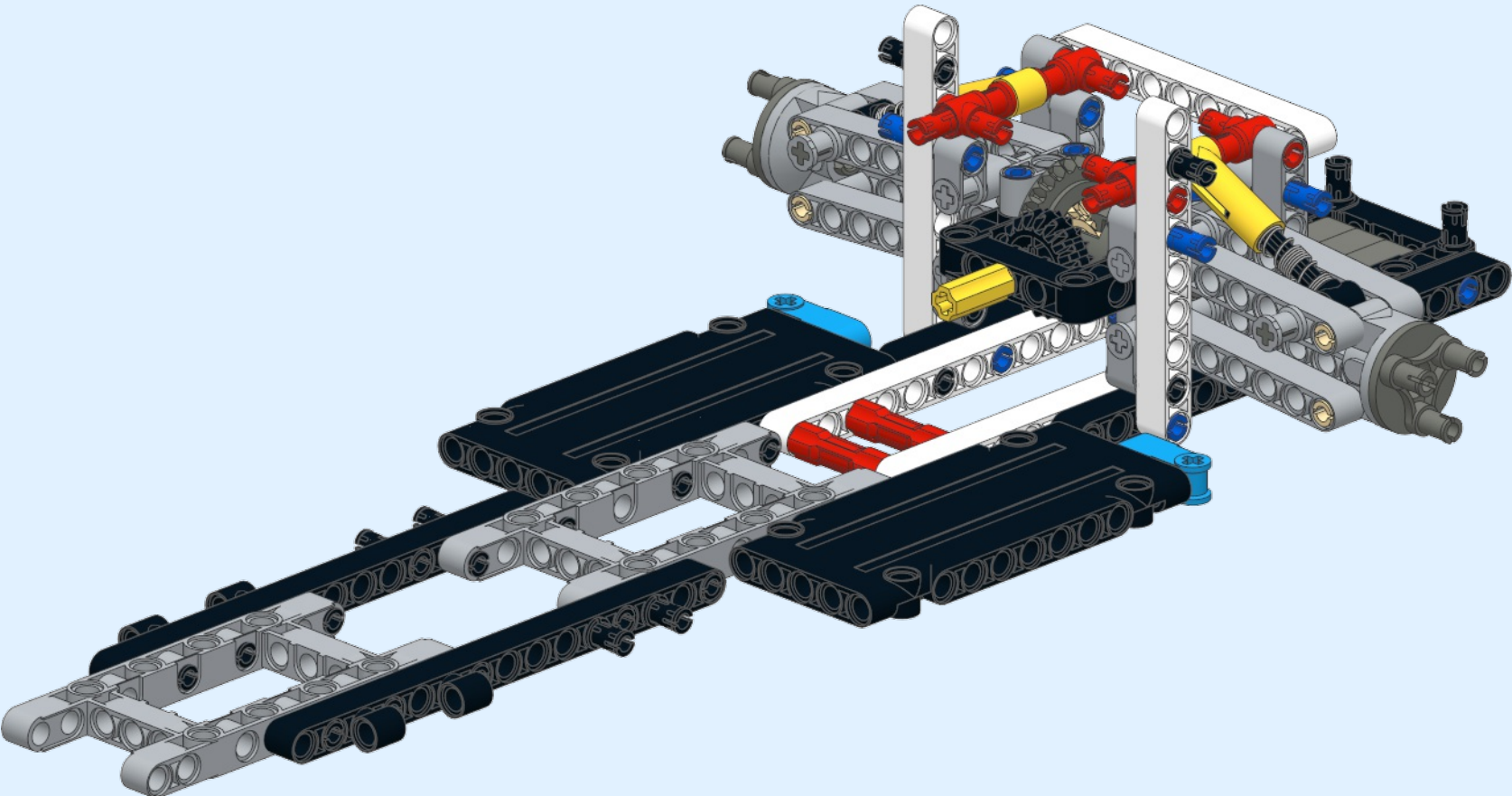


5

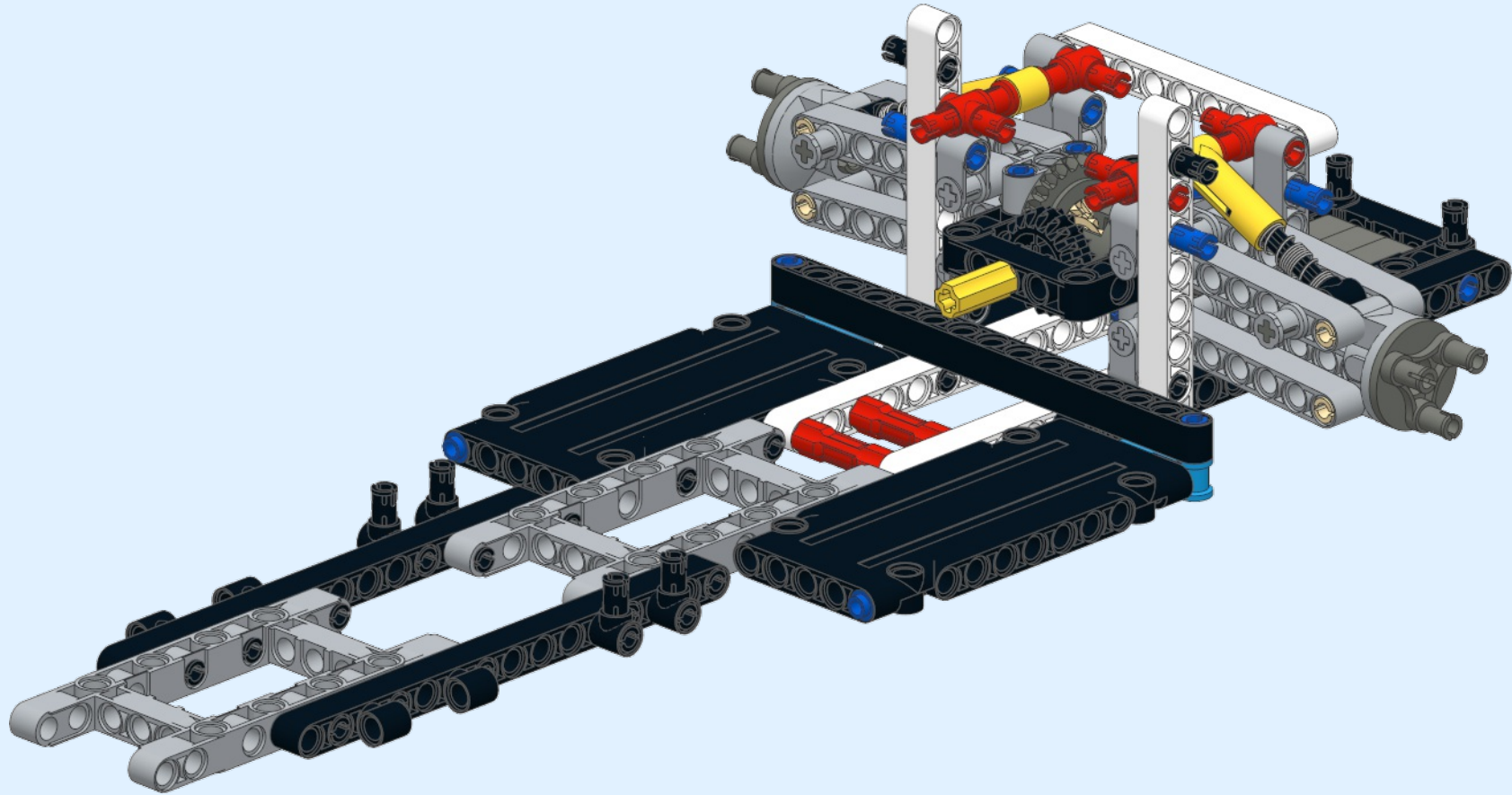
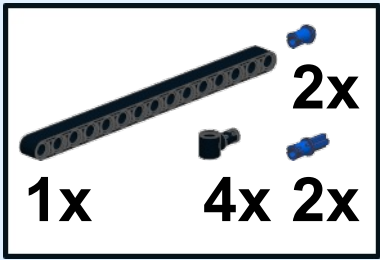


6

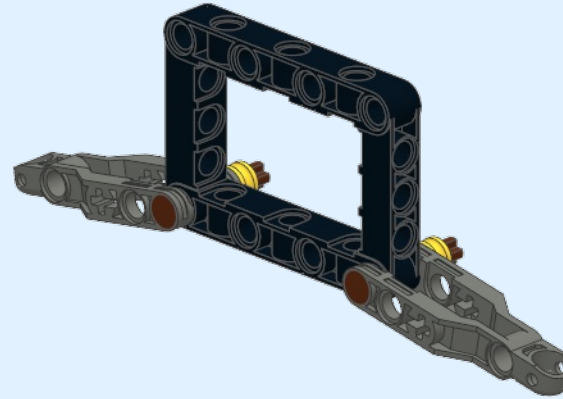
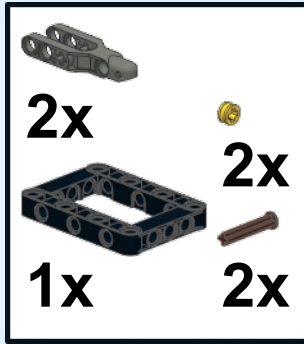
2x 4x



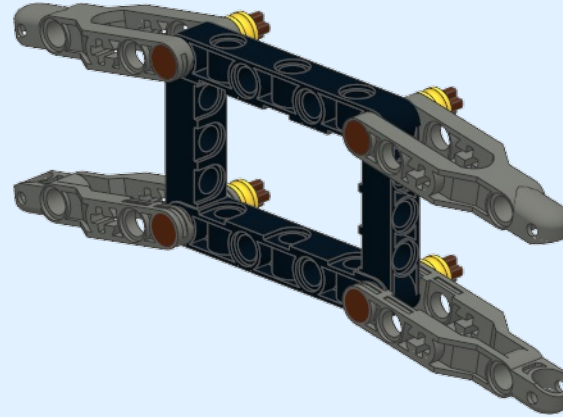
7



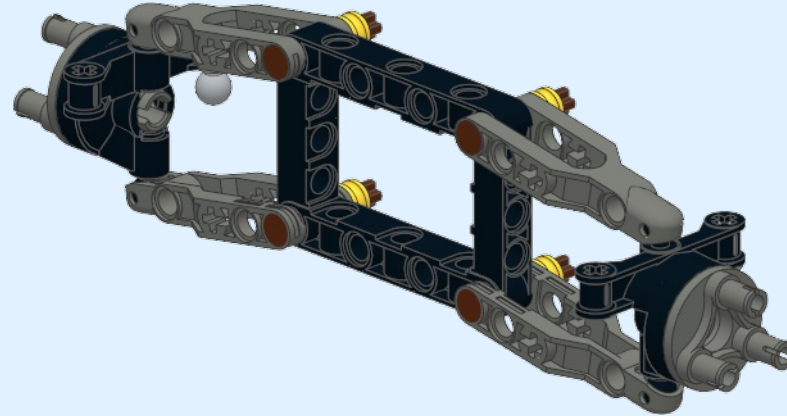
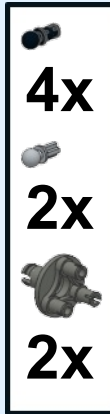
1







2

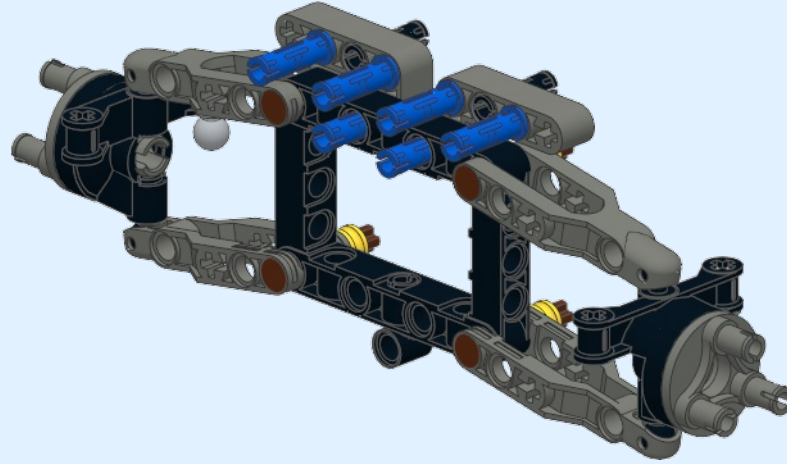


3



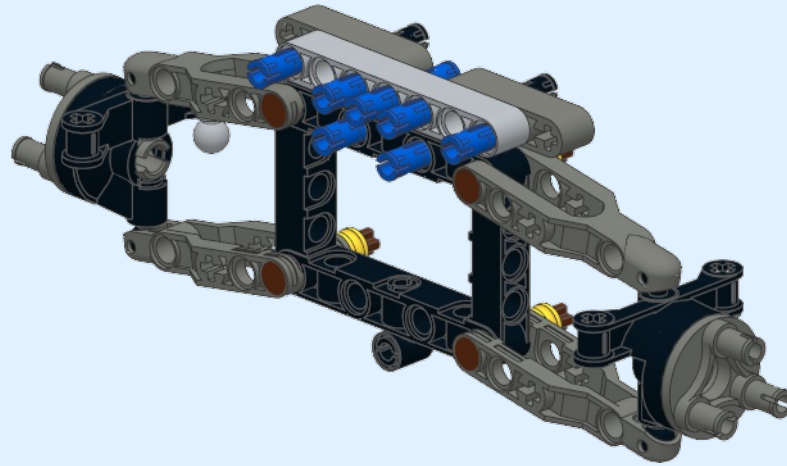
4

-  1x
-  6x
-  2x
-  2x







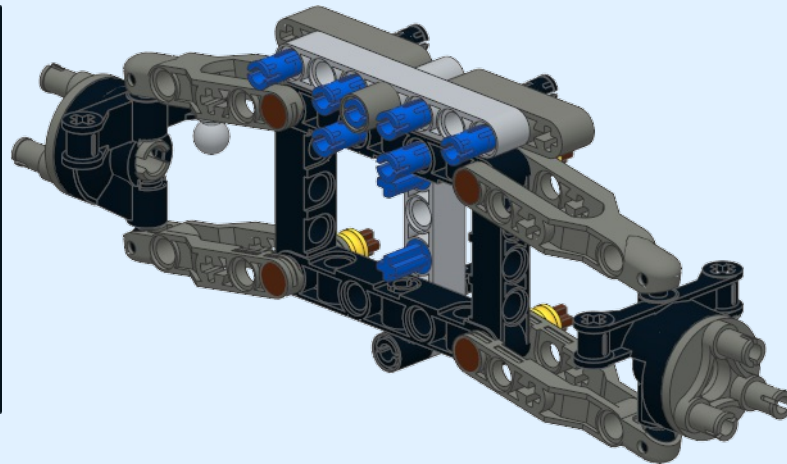
5

-  1x
-  1x
-  1x

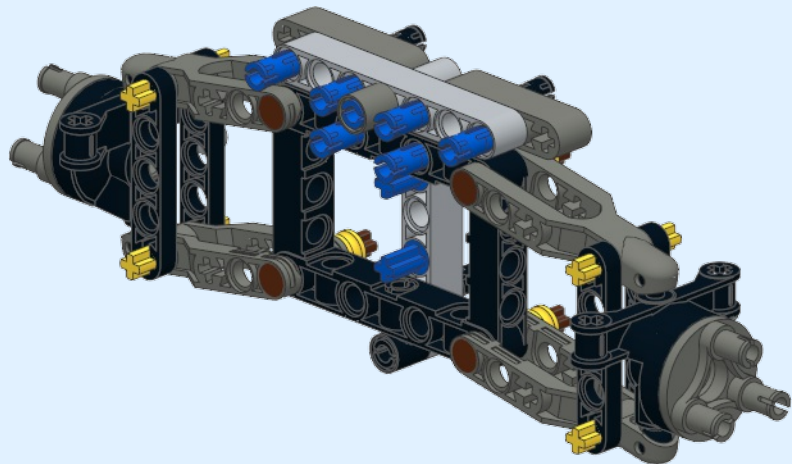


6

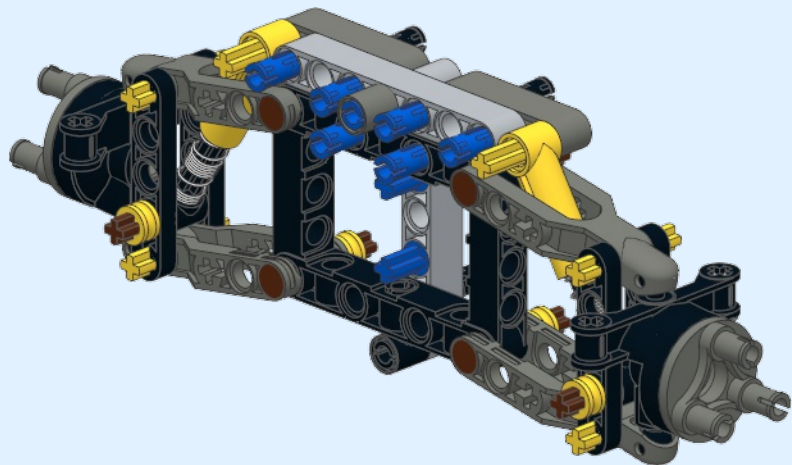
-  1x
-  1x
-  1x
-  2x



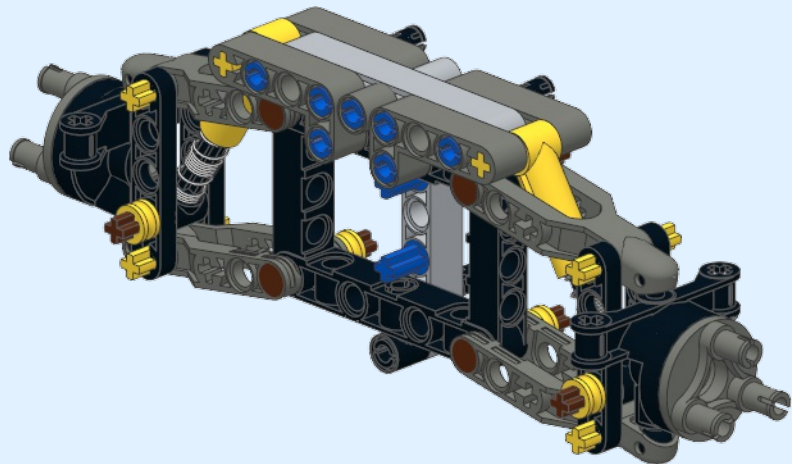
7
4x
4x



8
2x
2x
2x 2x

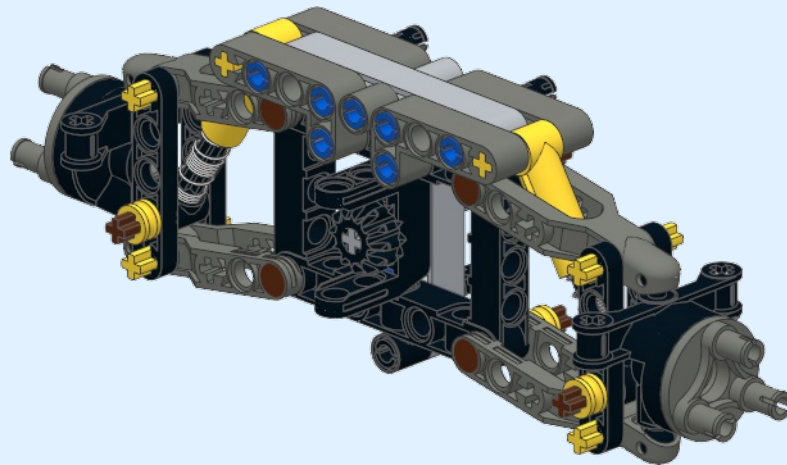


9
2x







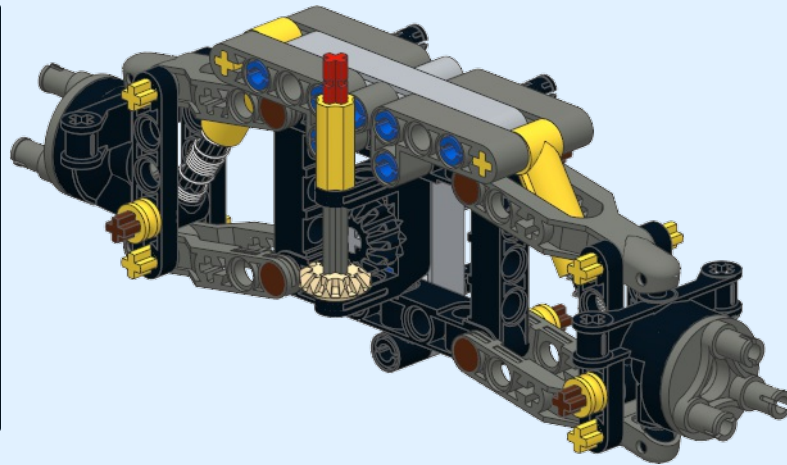
10

-  1x
-  1x
-  1x





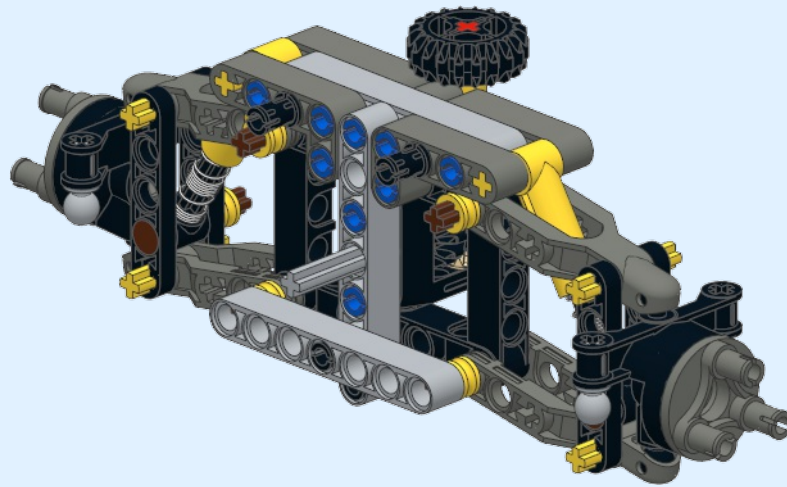
11

-  1x
-  1x
-  1x
-  1x



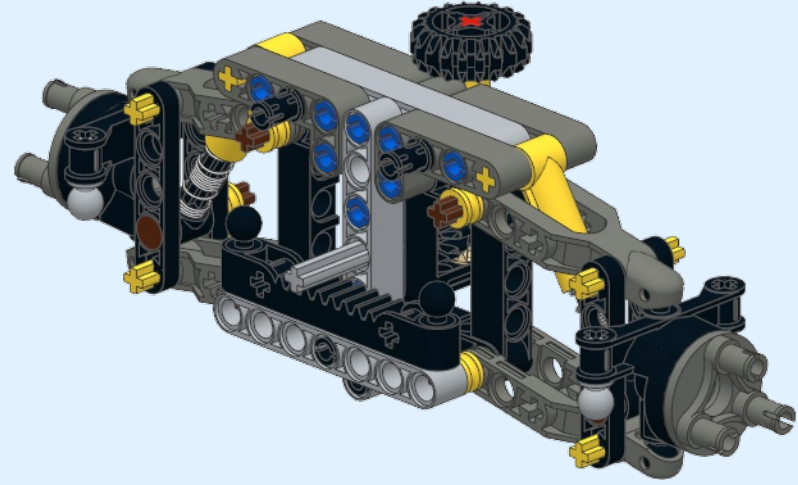
12

-  1x
-  1x








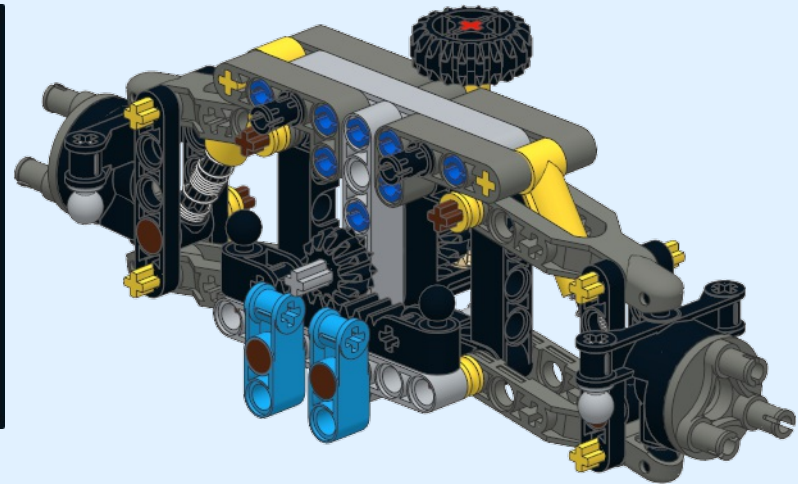
13

-  2x
-  1x





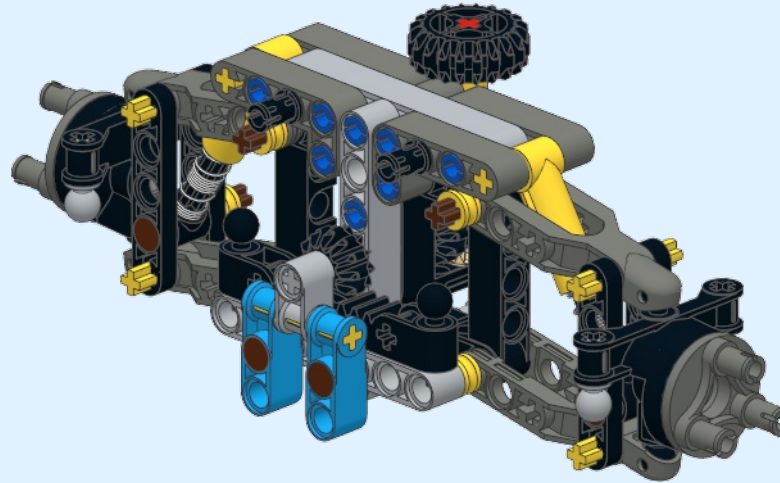
14

-  1x
-  2x
-  2x
-  2x
-  2x



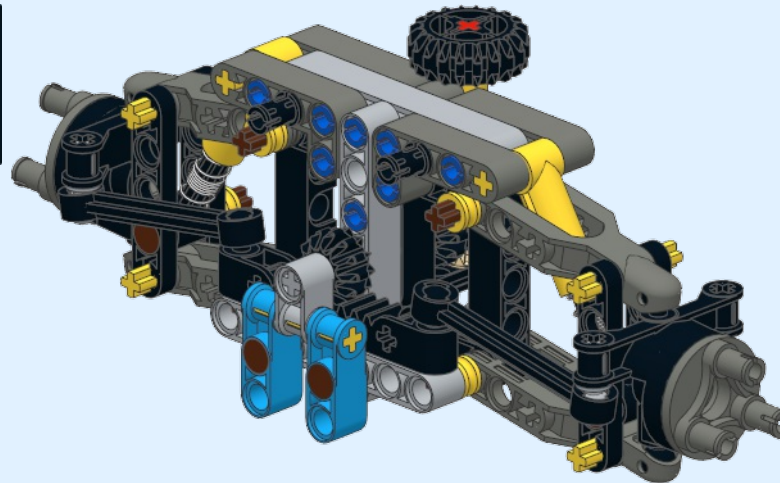
15

	1x
	1x

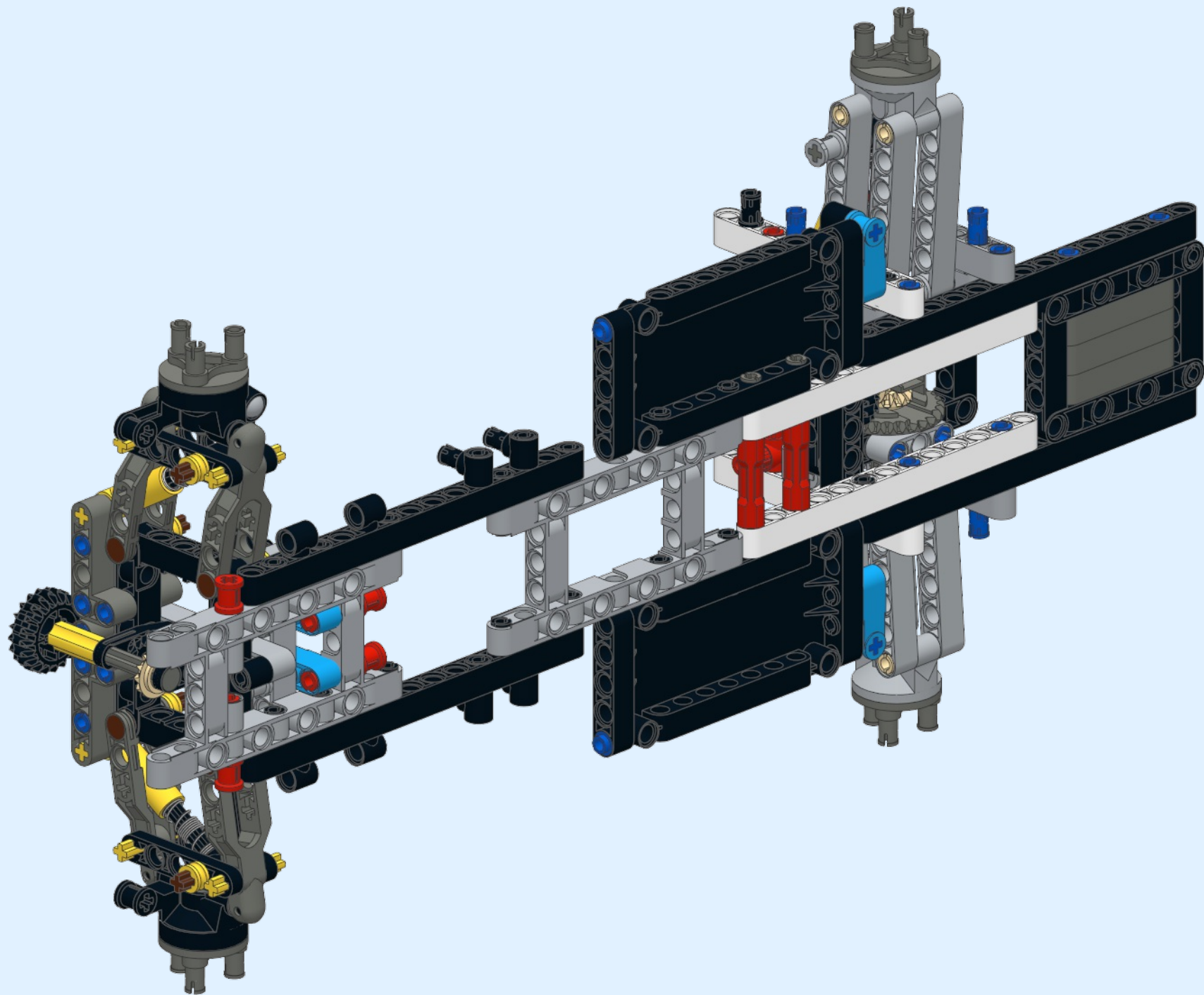


16

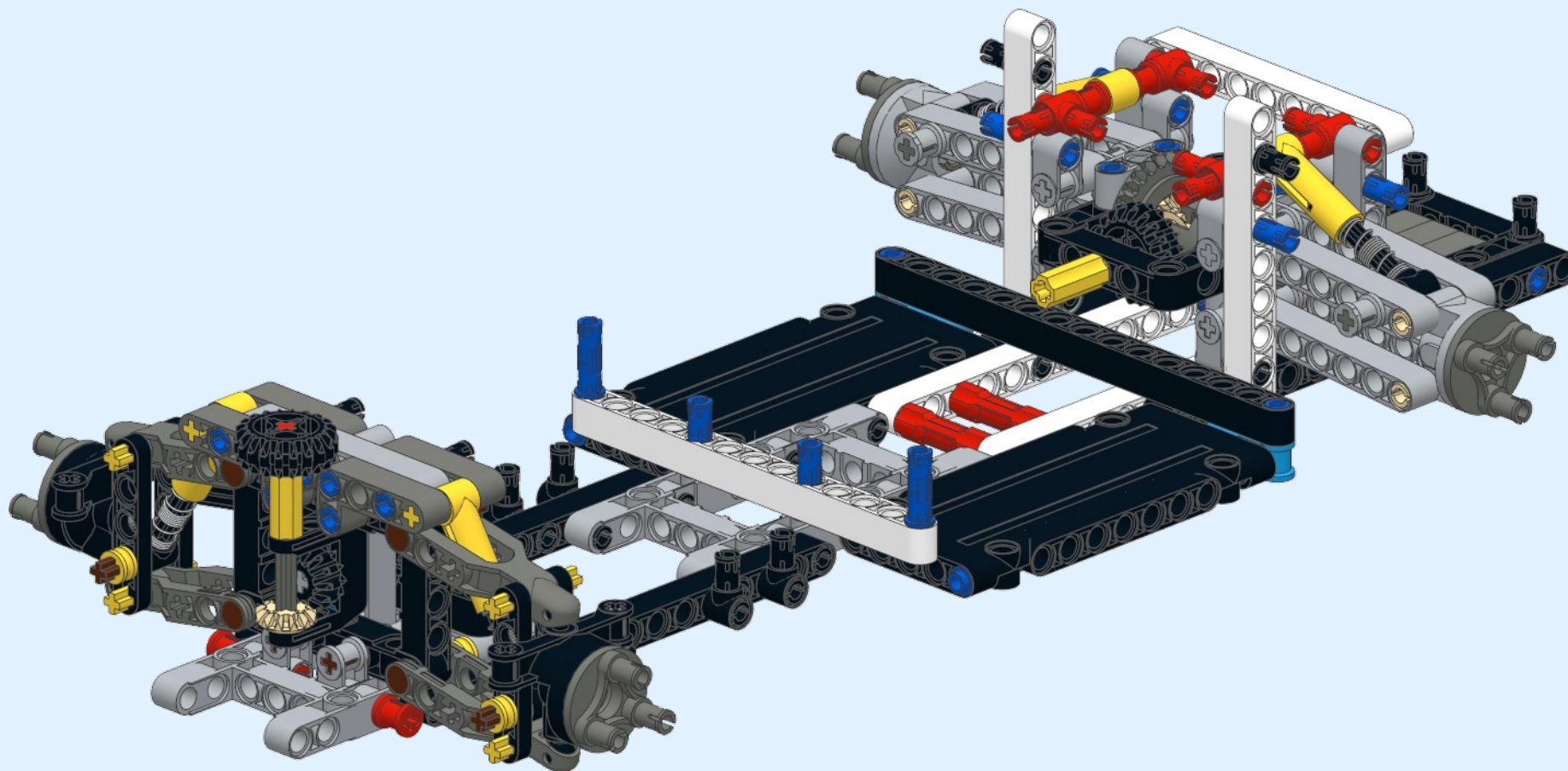
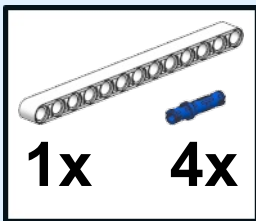
	2x
---	-----------



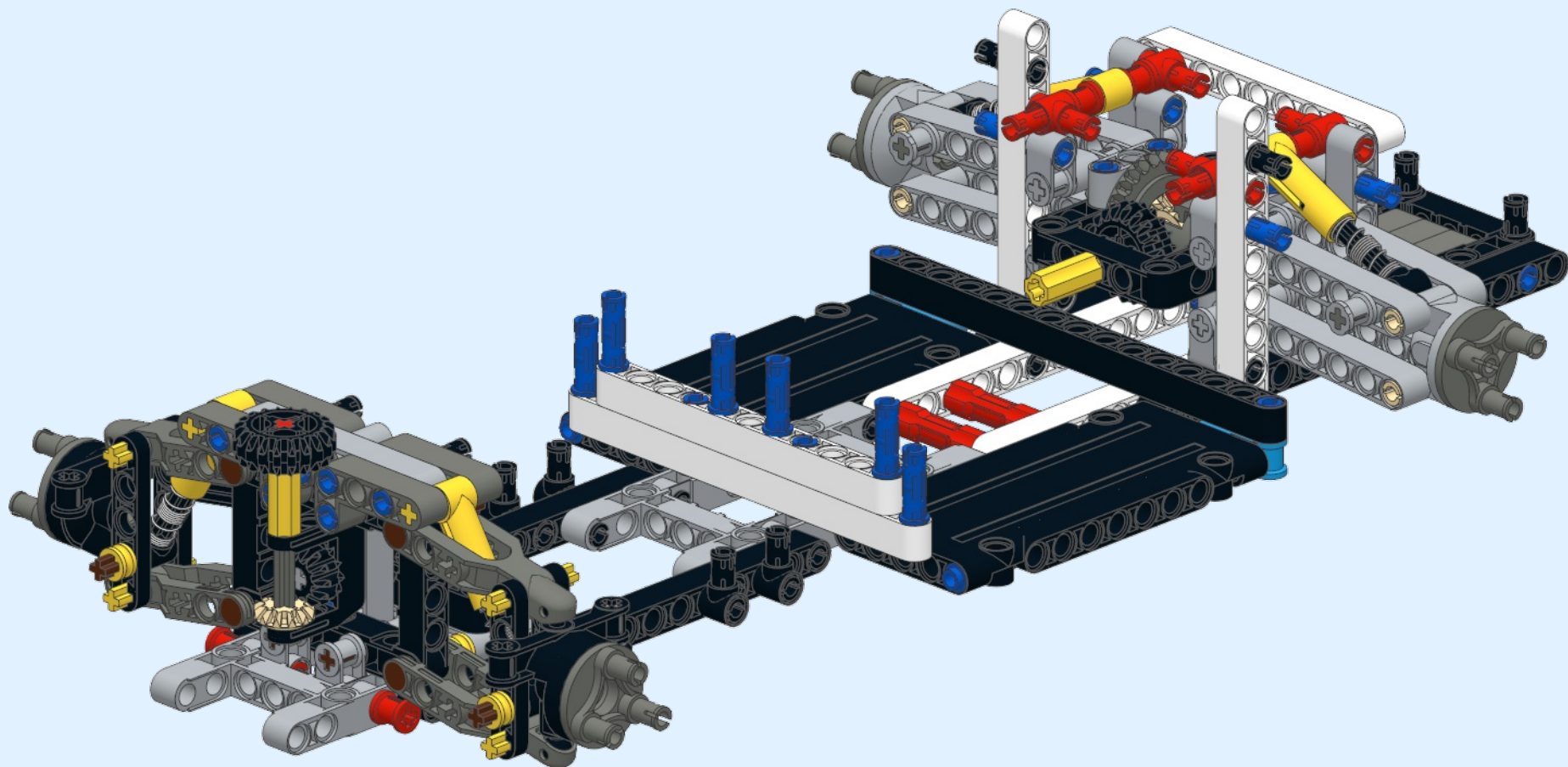
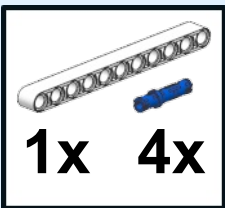
8



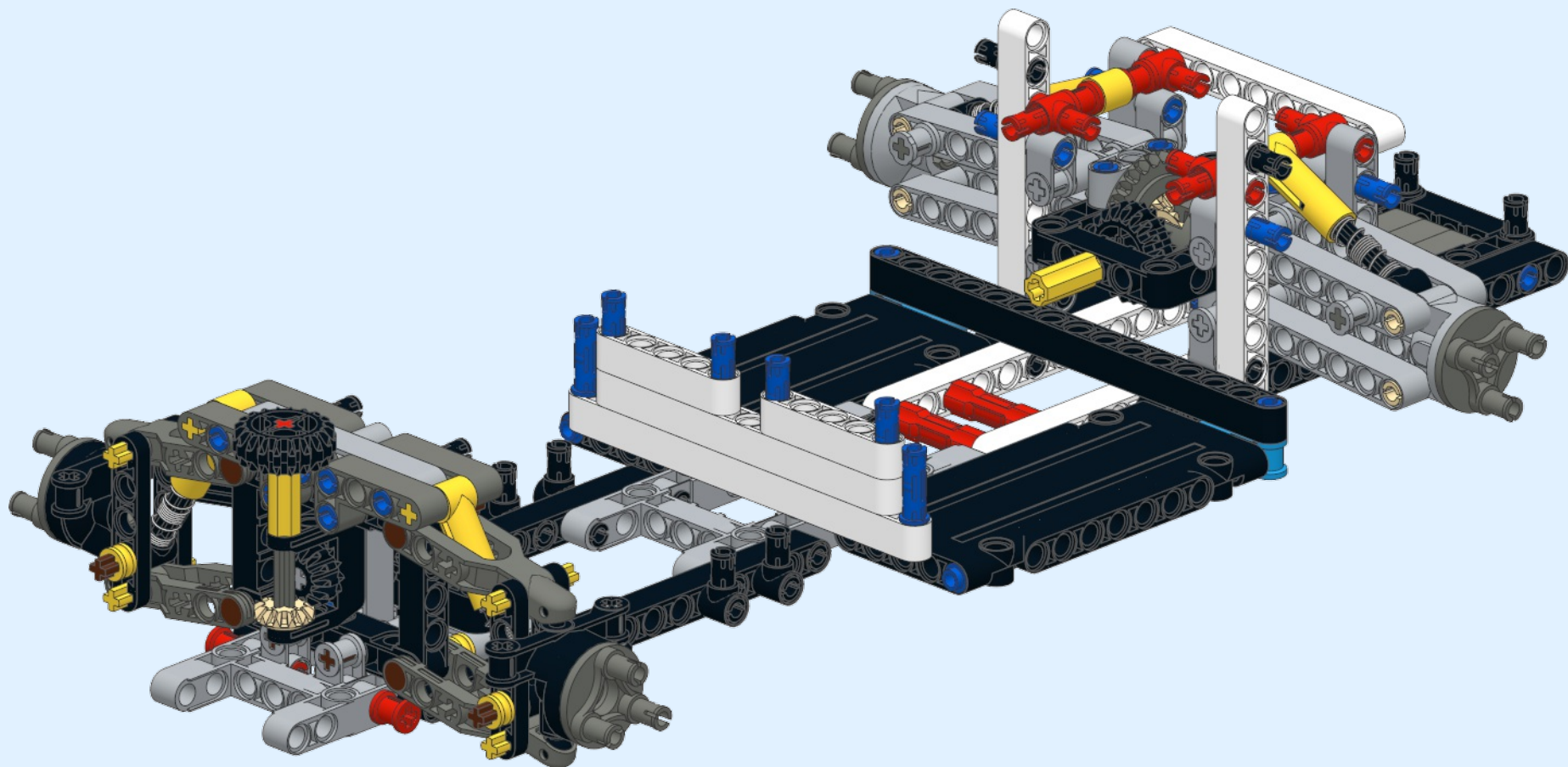
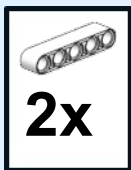
9



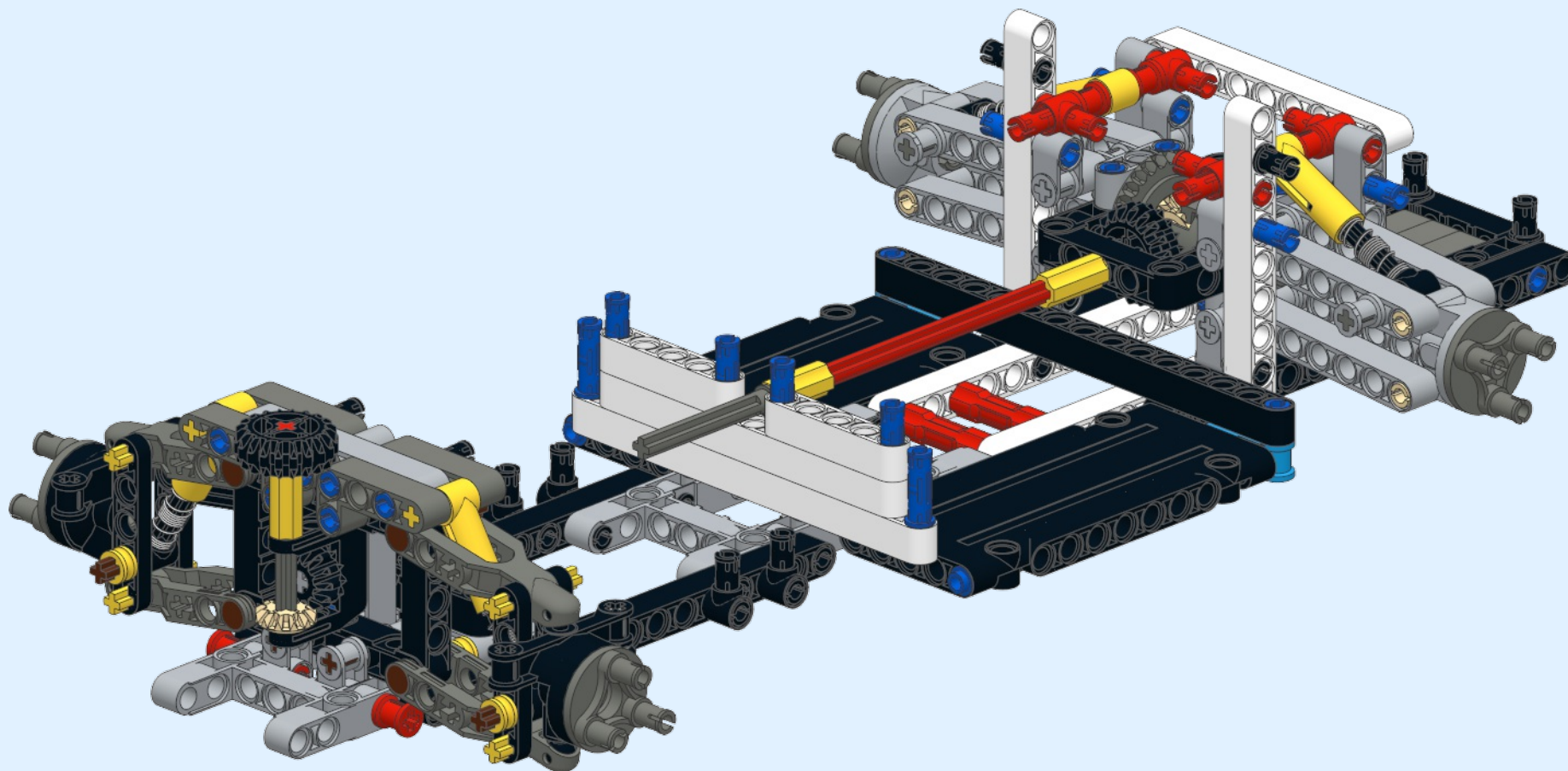
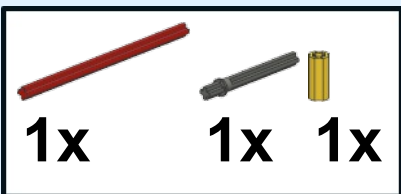
10



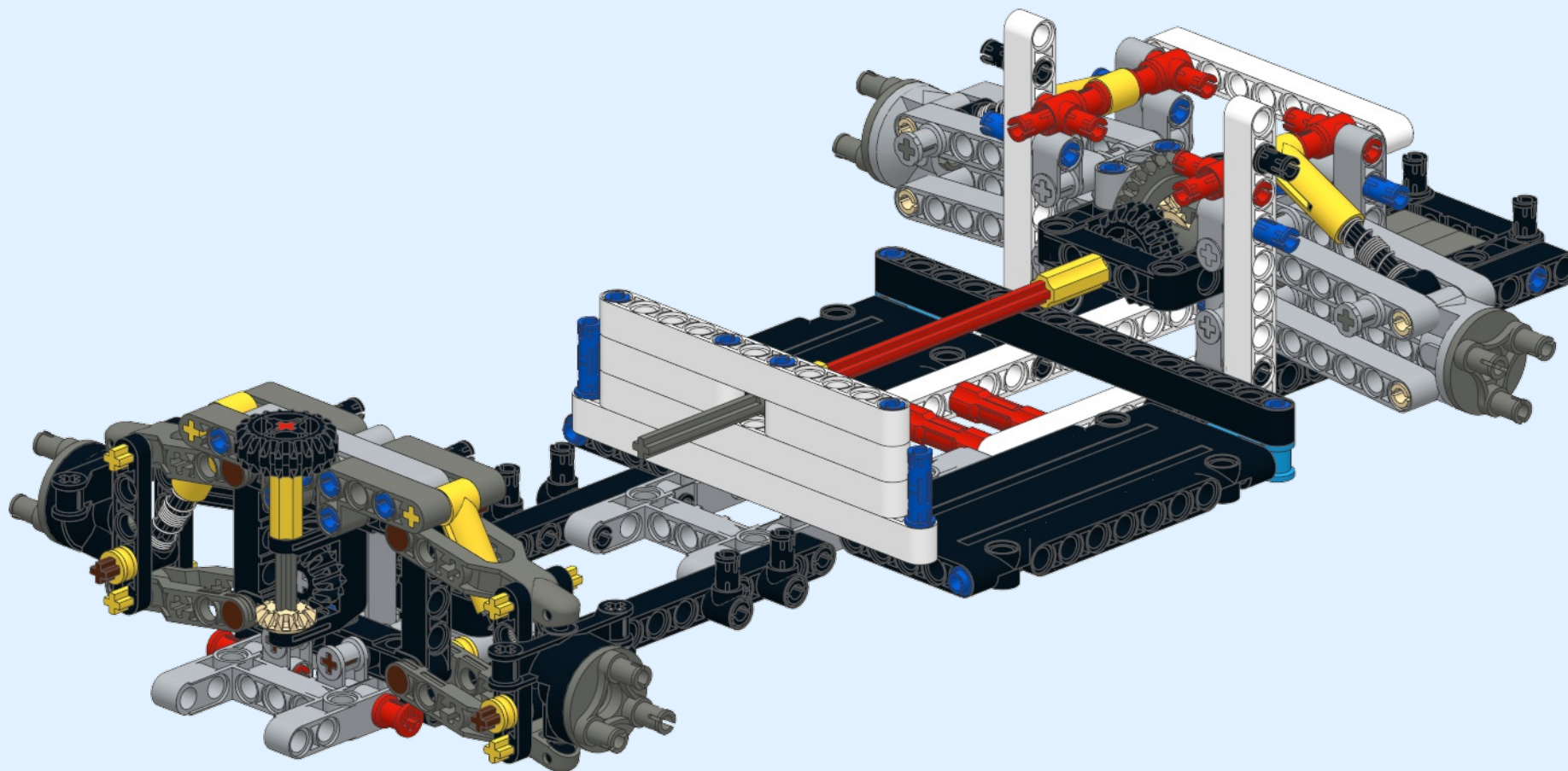
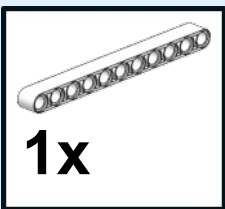
11

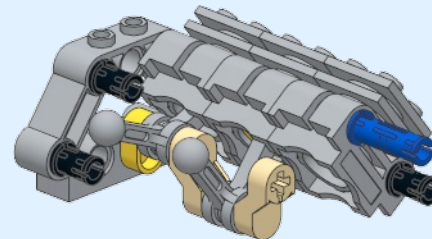
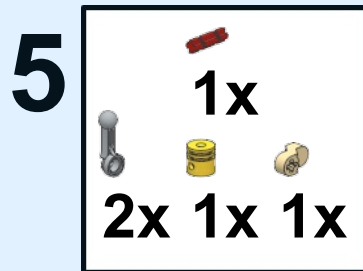
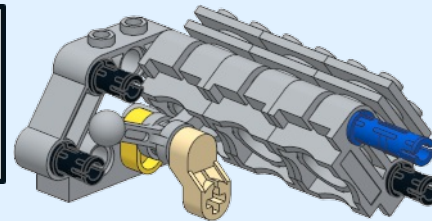
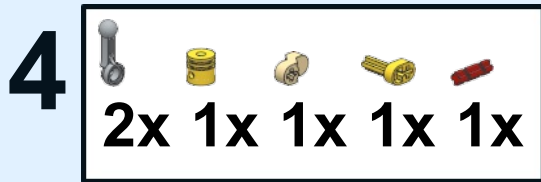
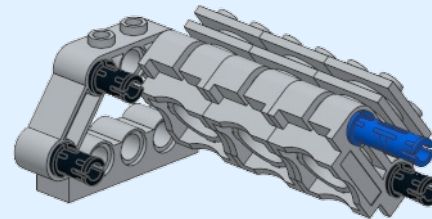
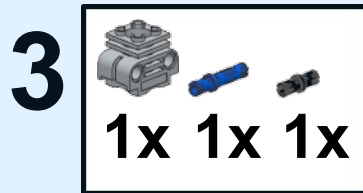
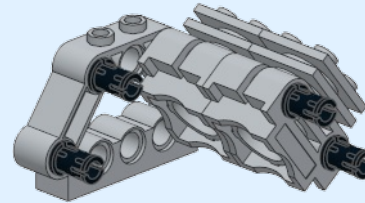
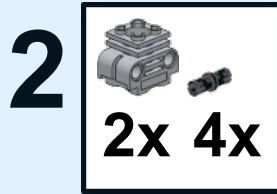
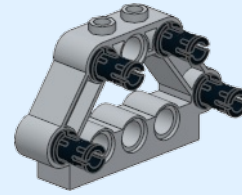


12






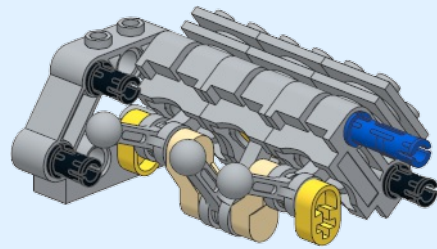
13









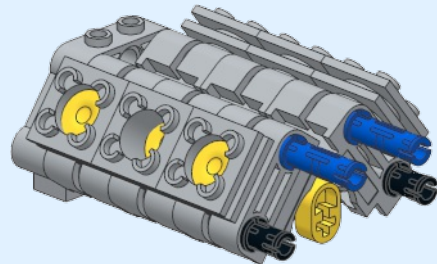
6

	1x
	2x
	1x




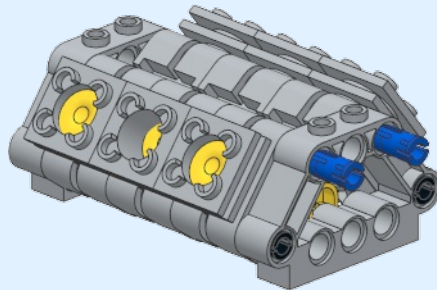
7

	1x
	3x
	3x
	5x





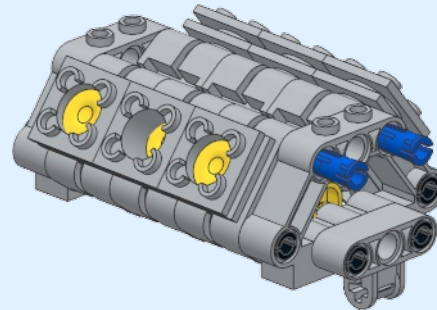
8

	1x
--	----





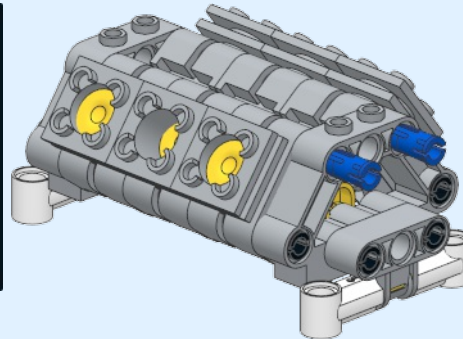
9

- 4x 
- 2x 



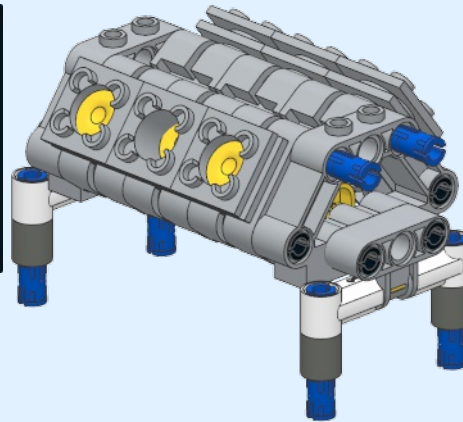
10

- 2x 
- 4x 



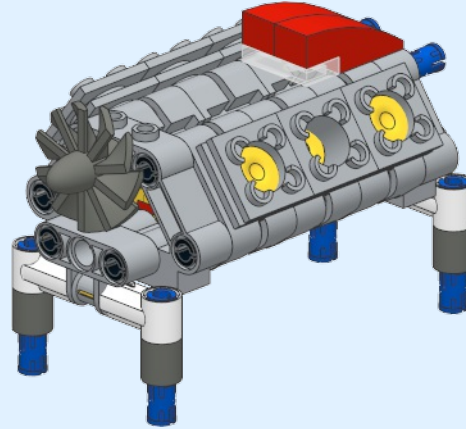
11

- 4x 
- 4x 




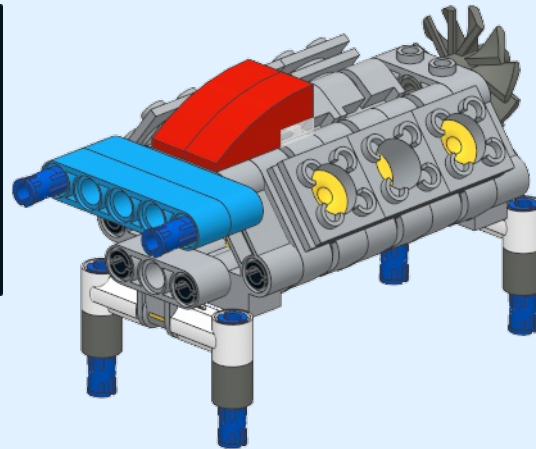
12

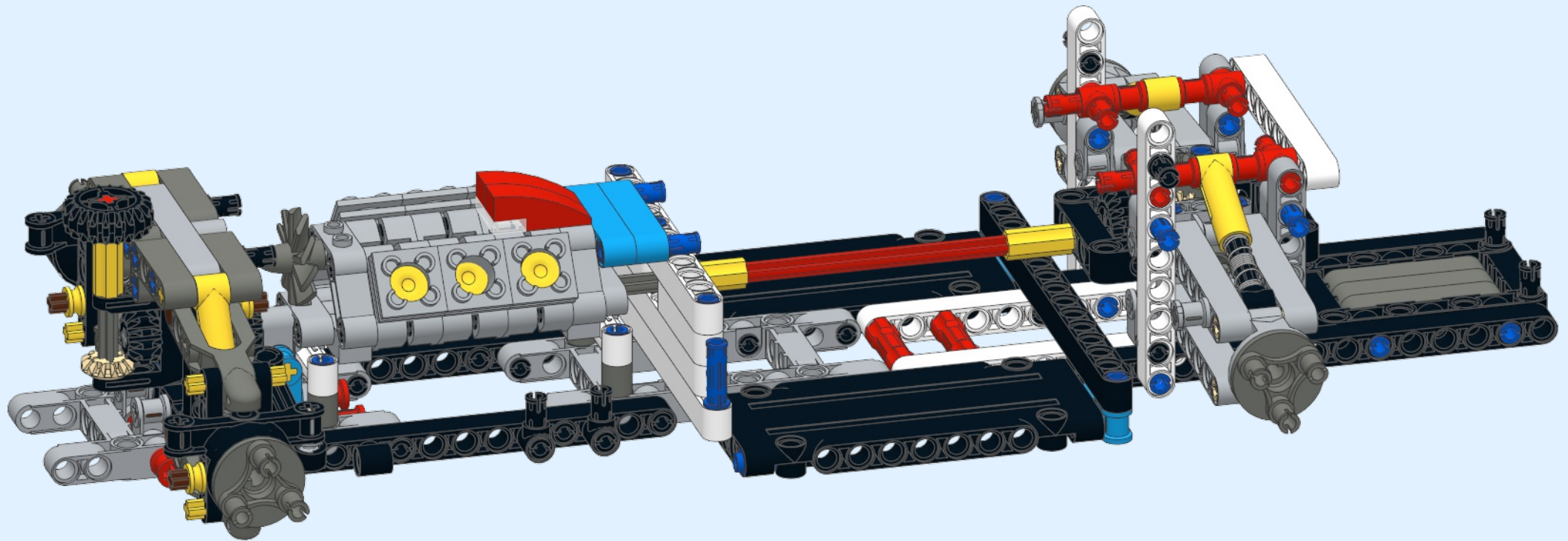
-  1x
-  2x
-  1x



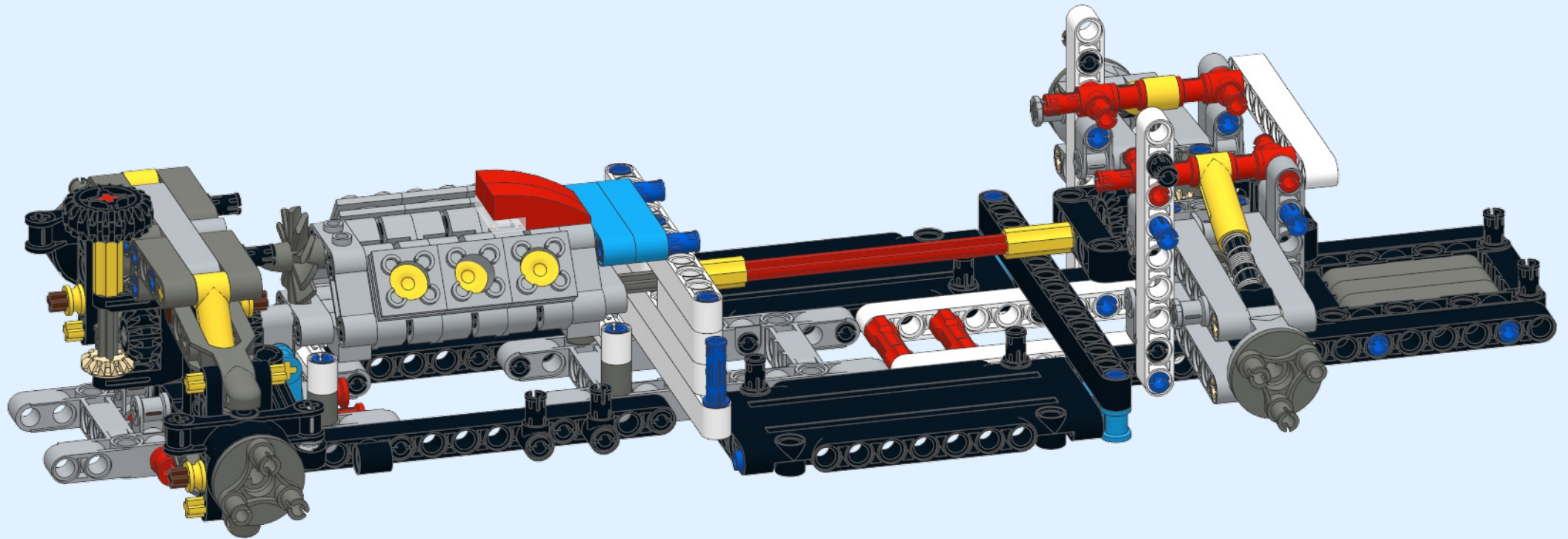
13

-  2x
-  2x

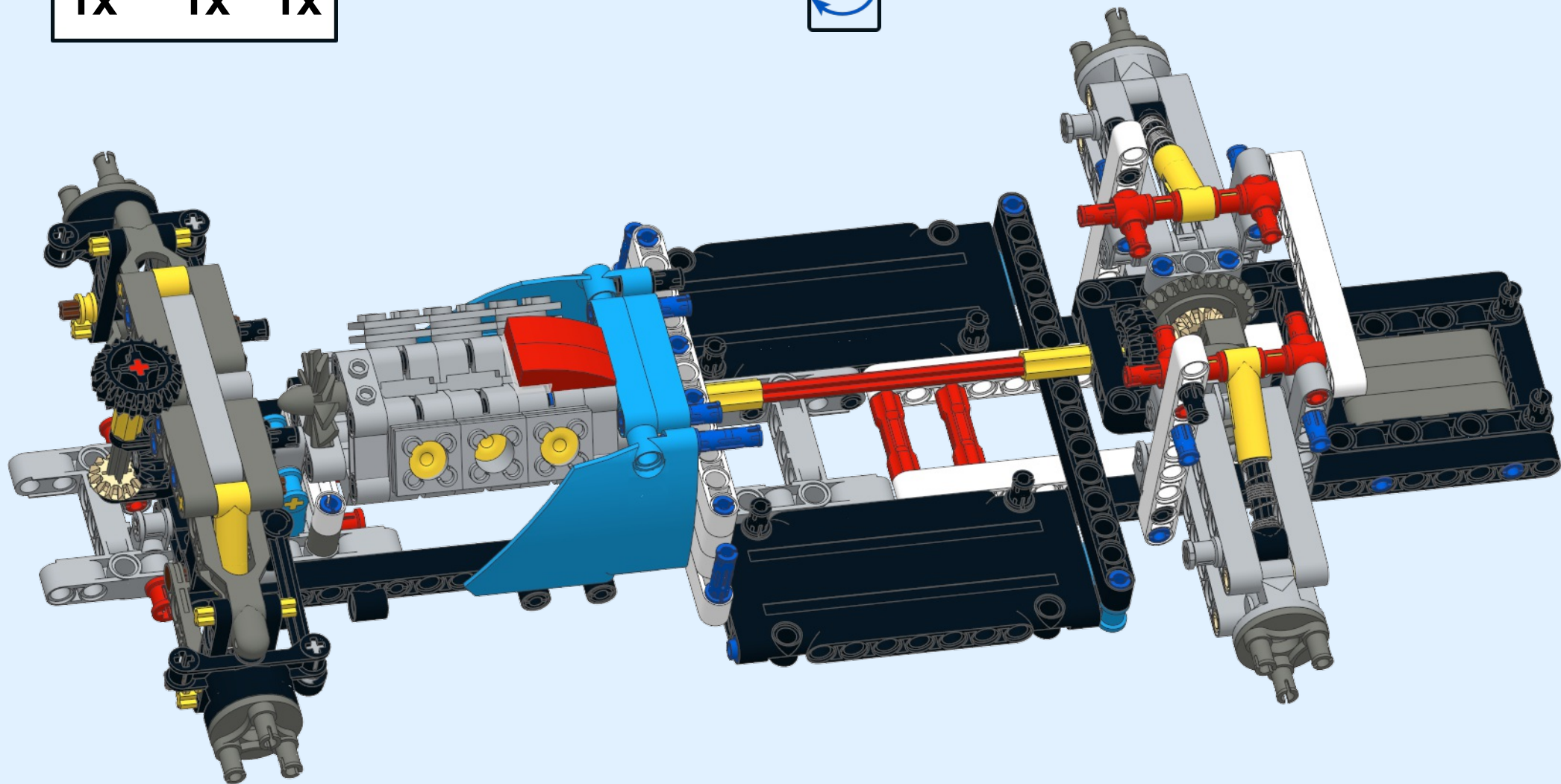
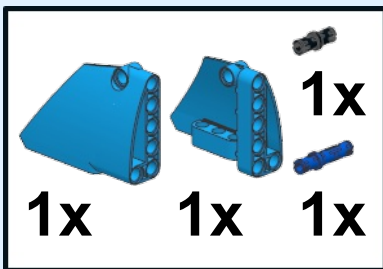




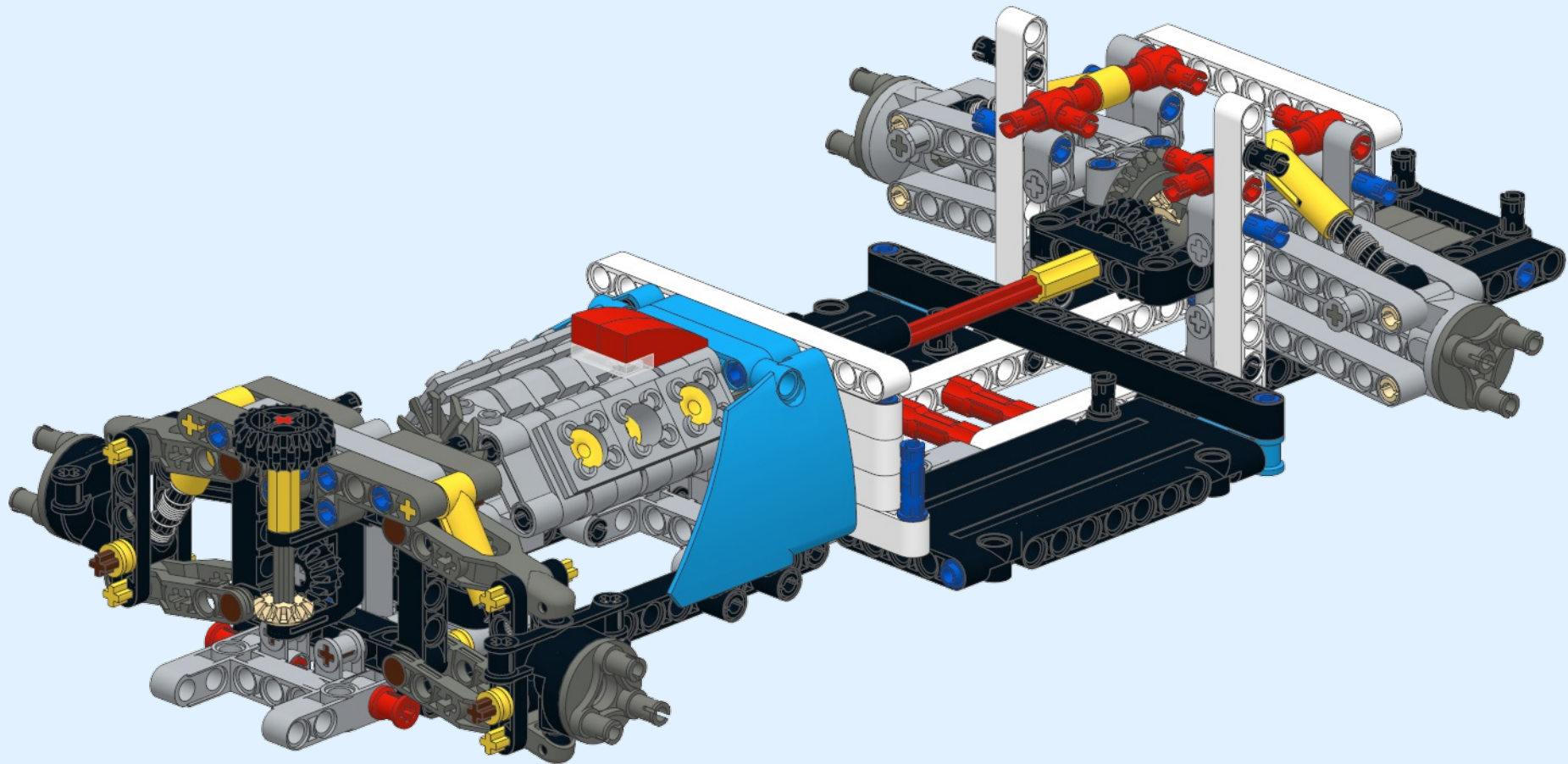
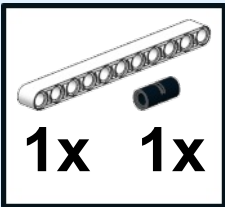
15  4x



16

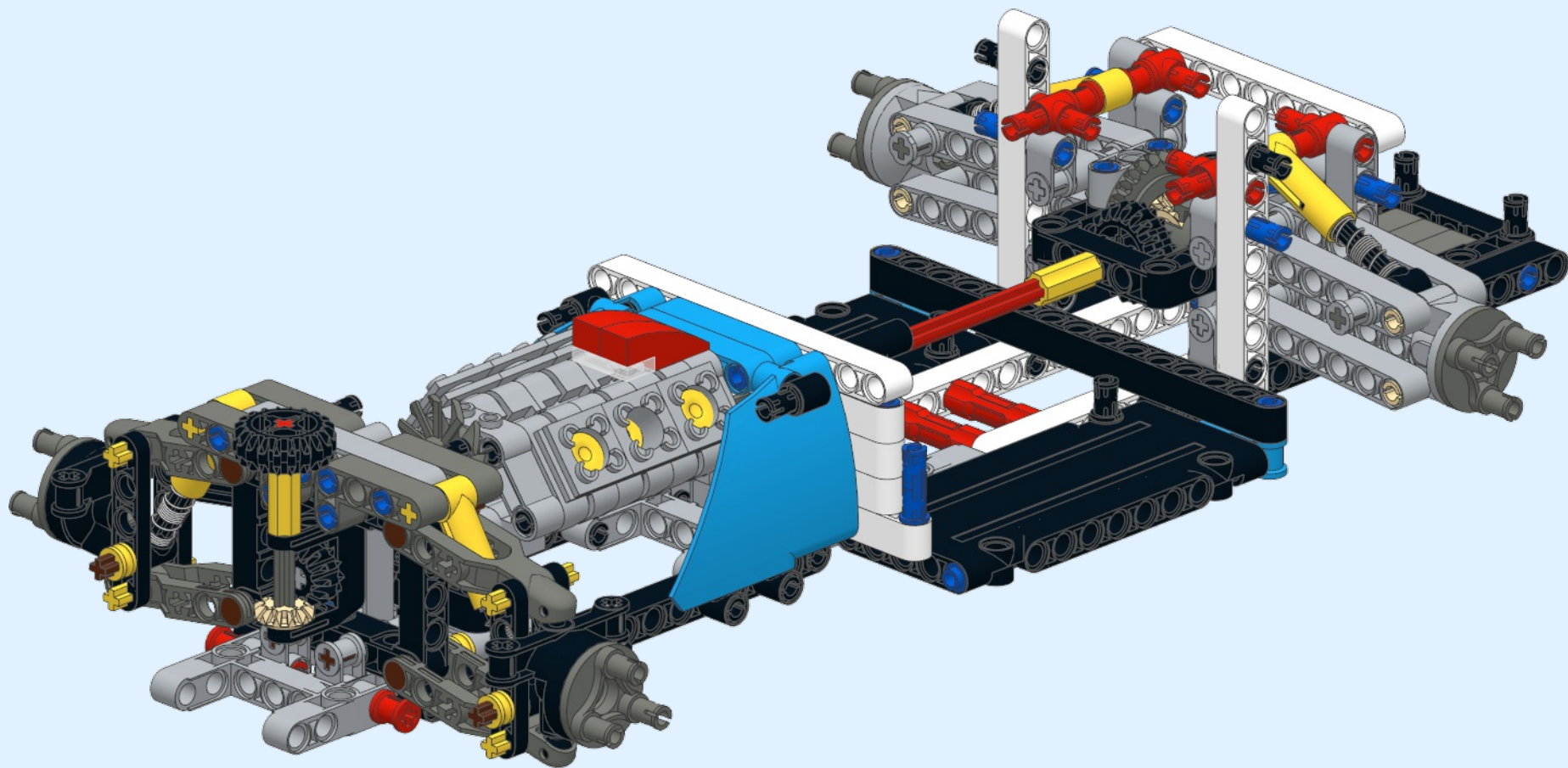


17

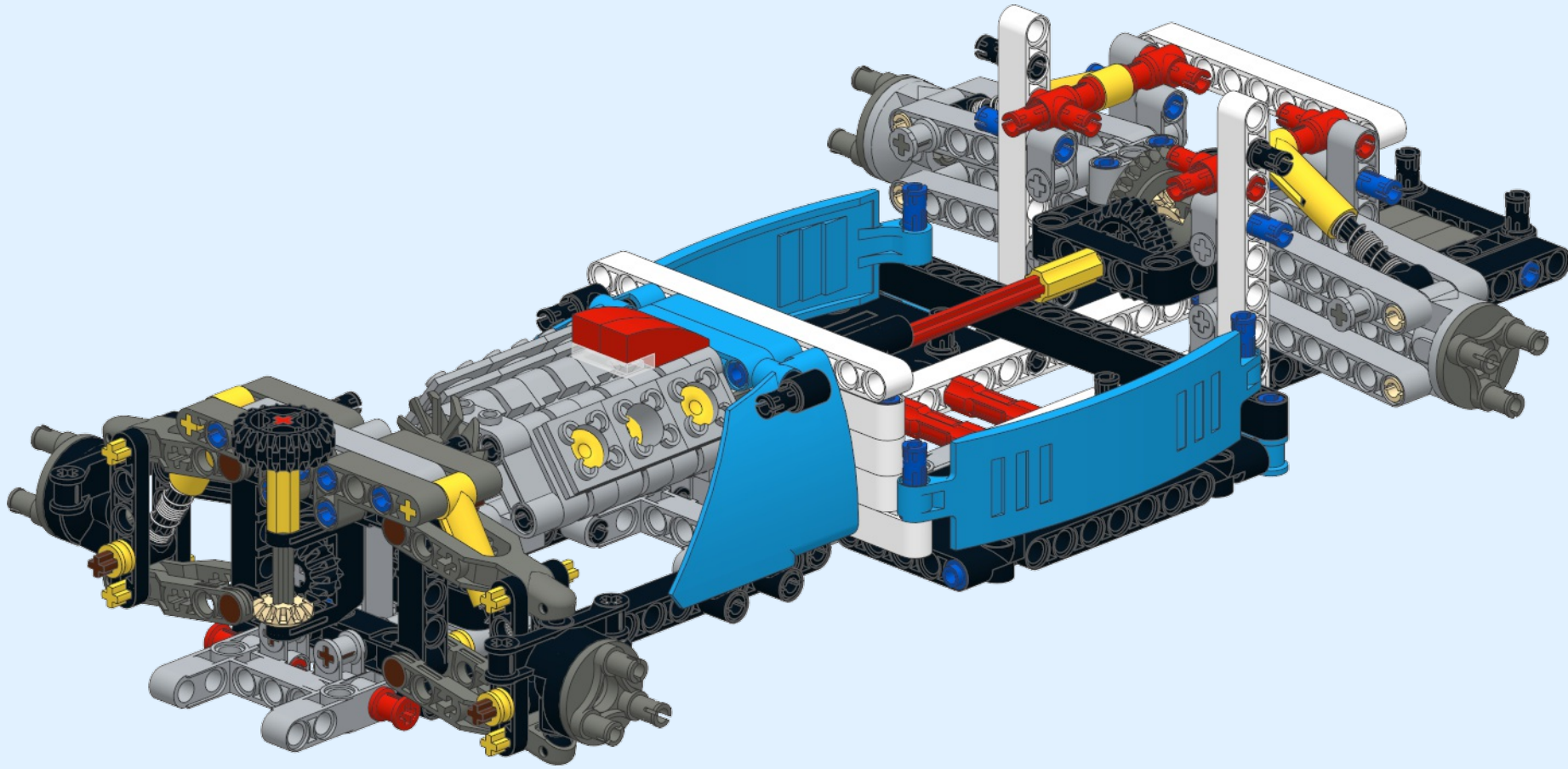
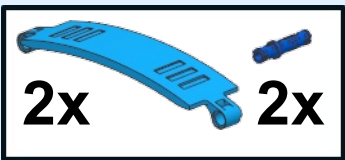


18

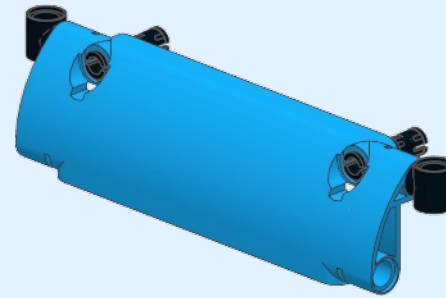
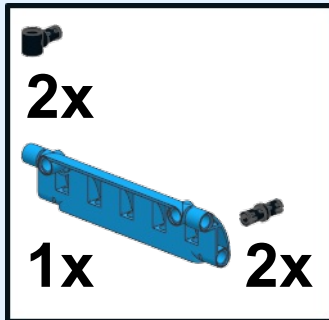
2x 2x



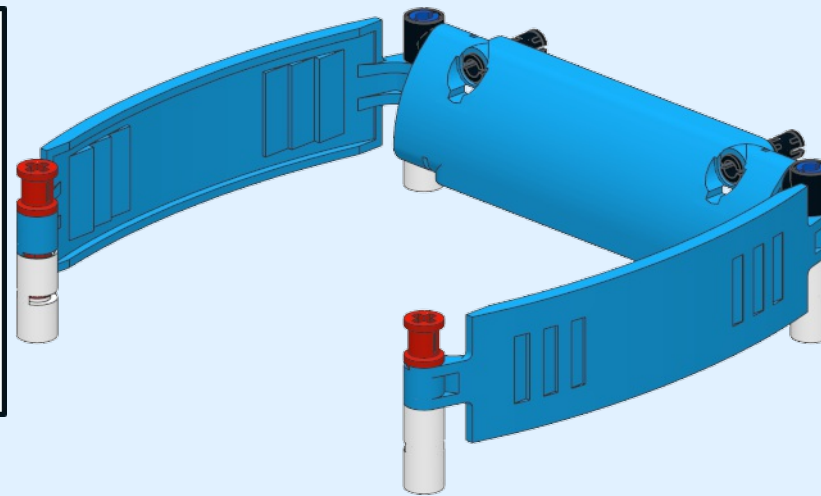
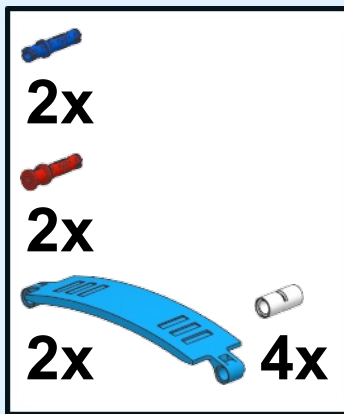
19

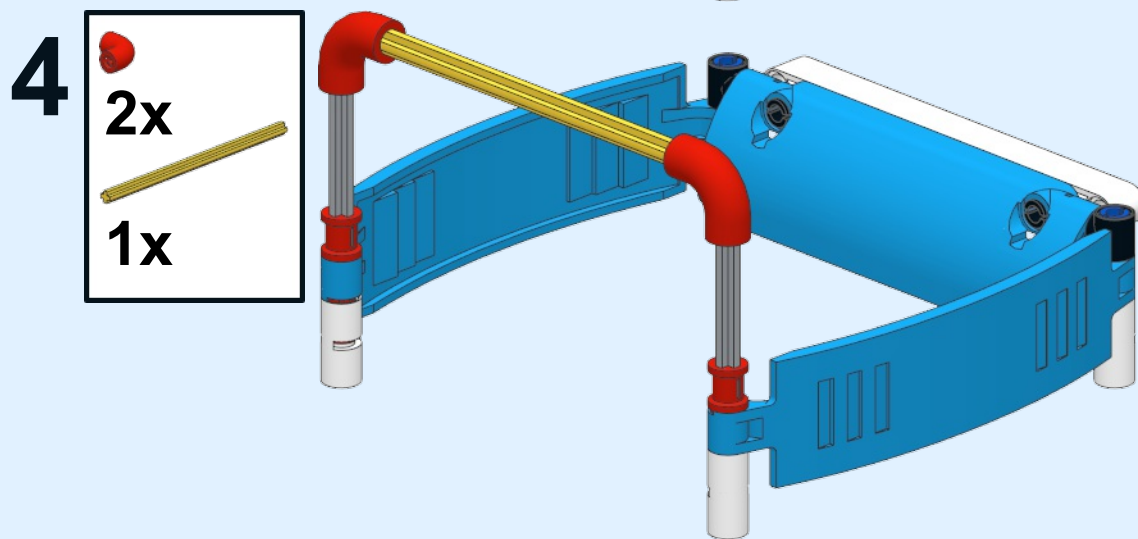
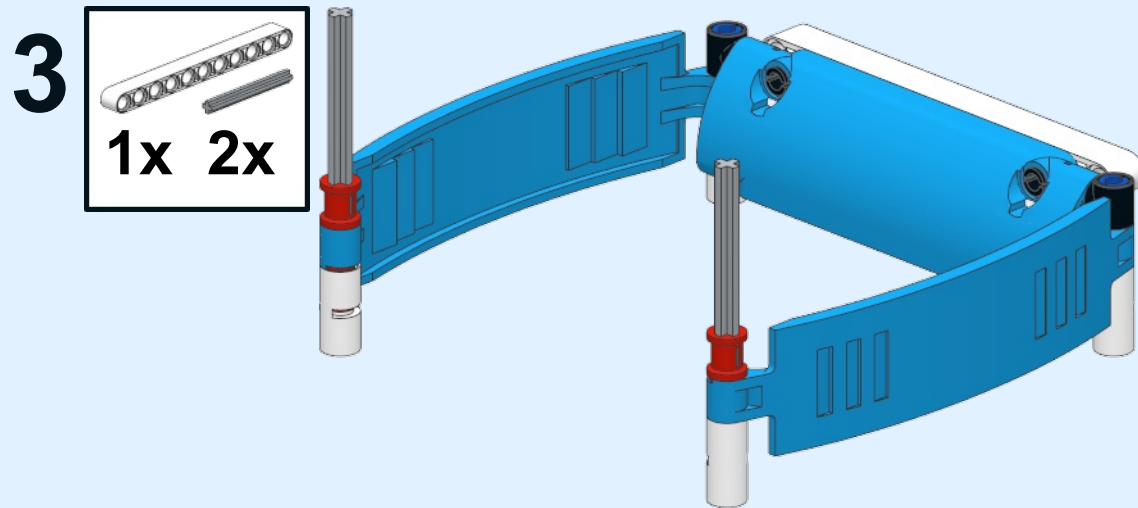


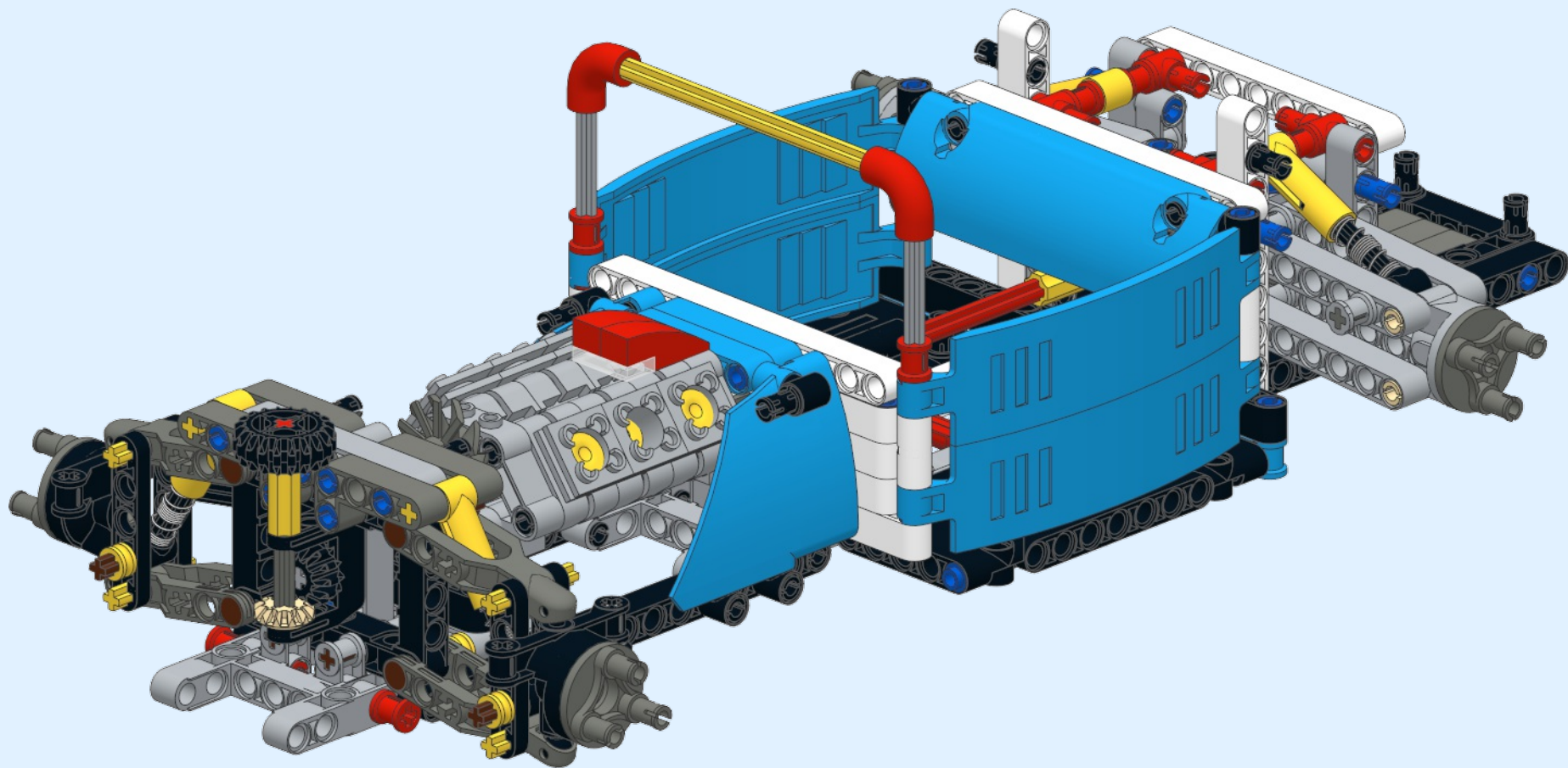
1

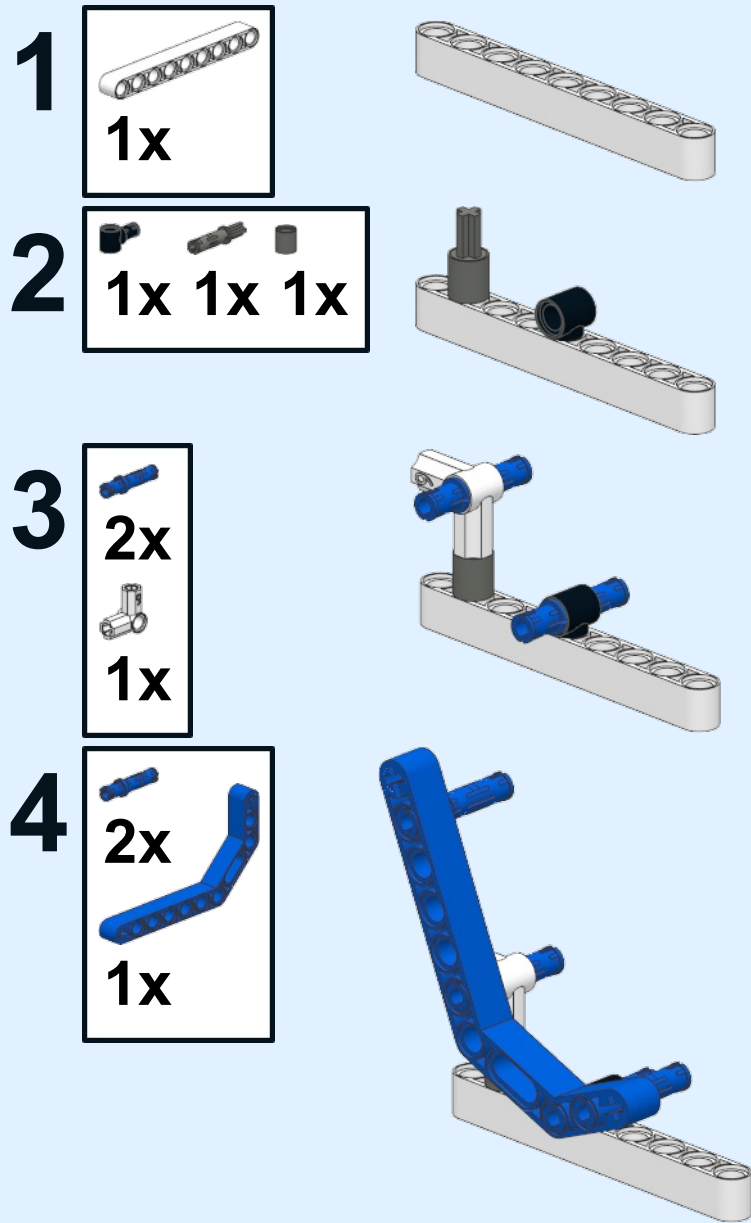



2

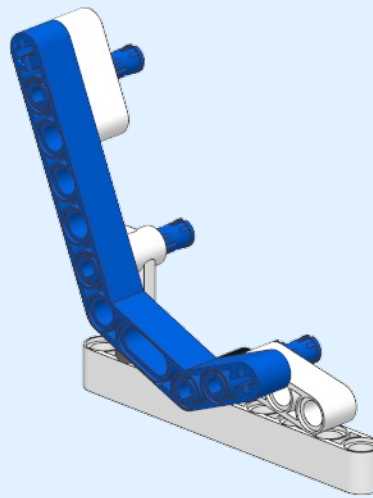



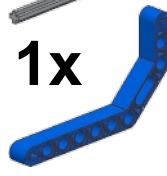


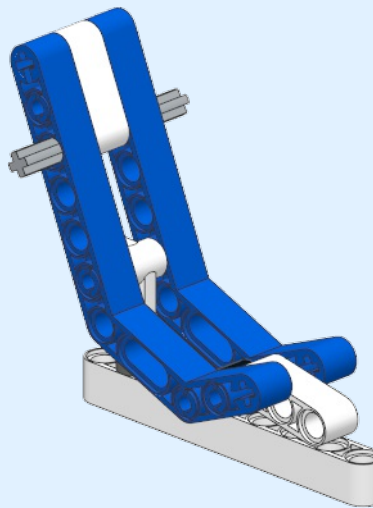




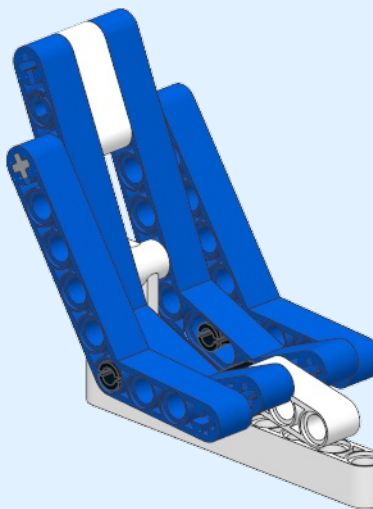
5  2x



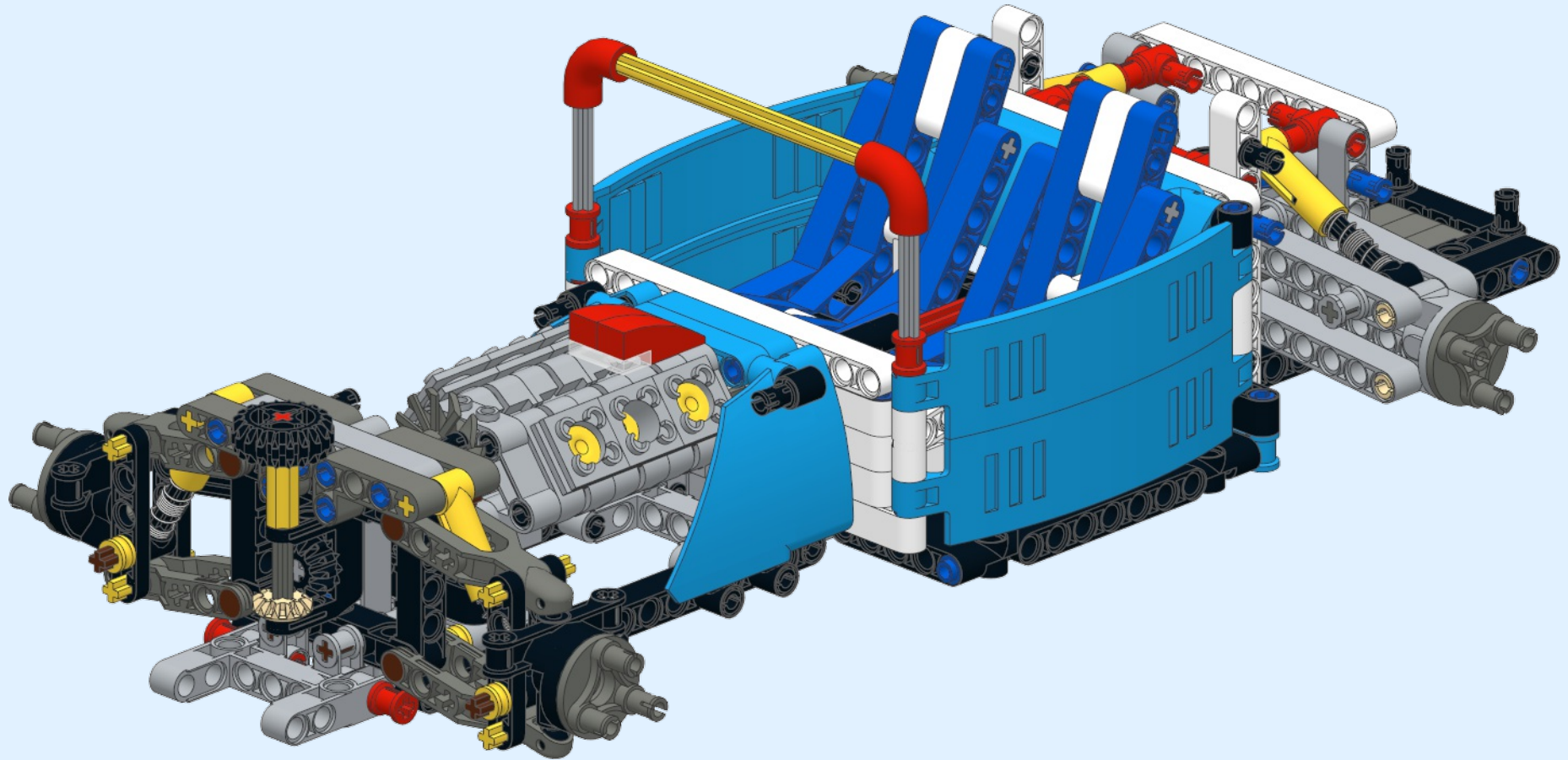
6  1x
 1x

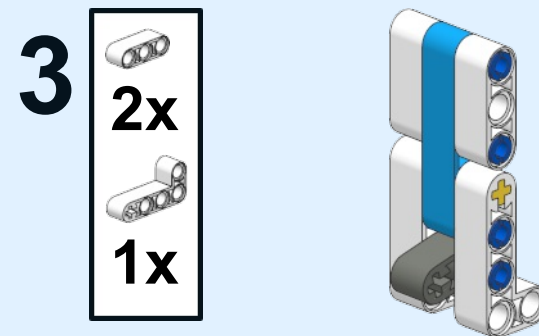
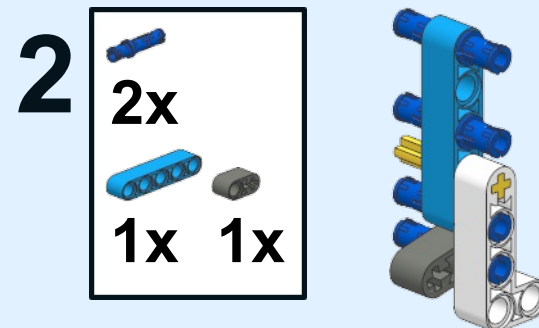
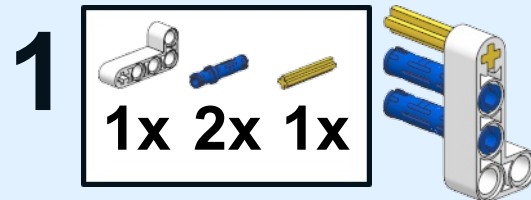


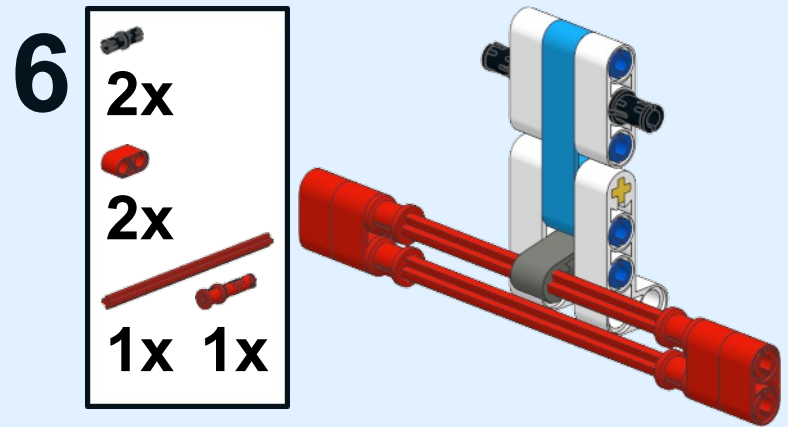
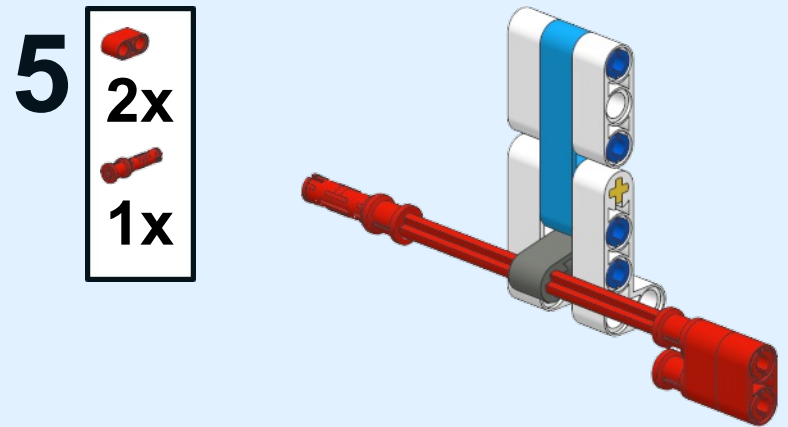
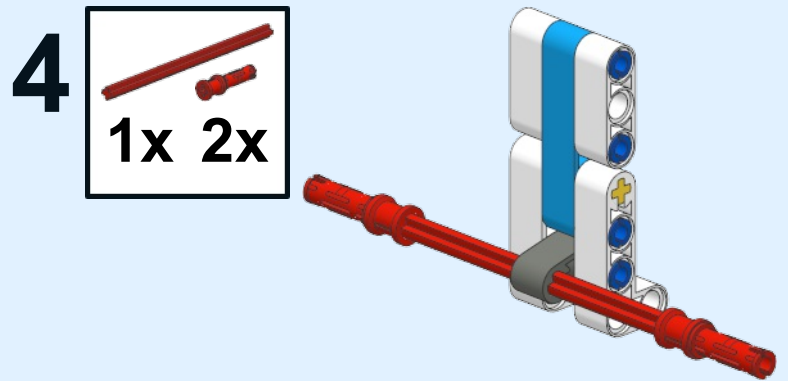
7  2x
 2x



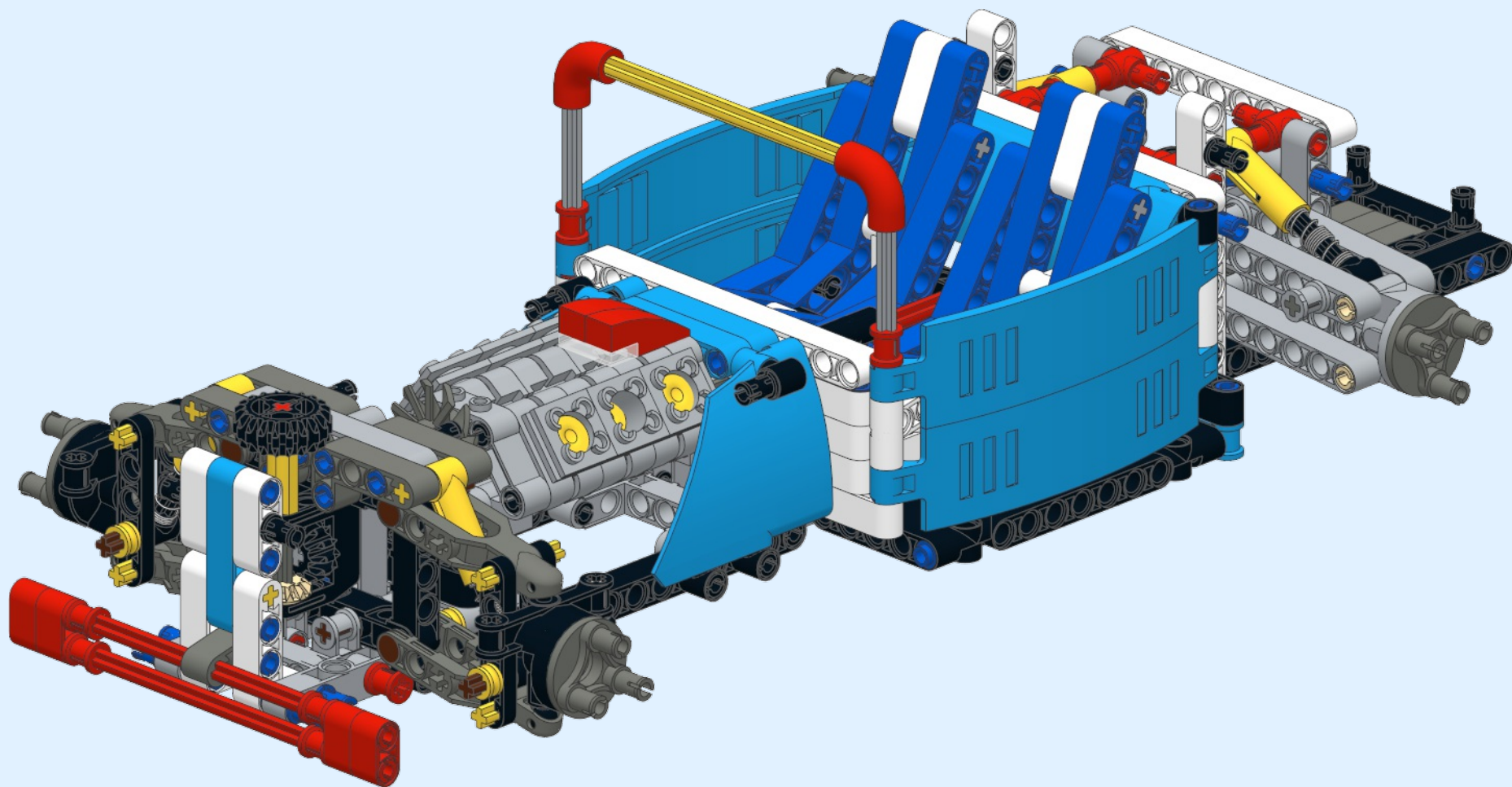
x2



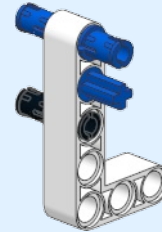
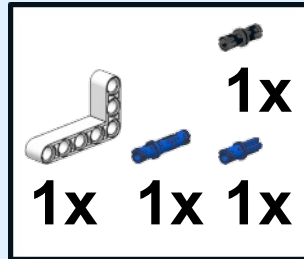




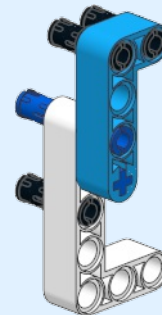
22



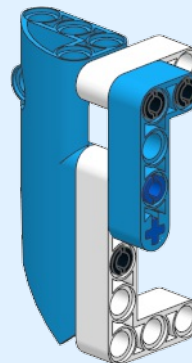
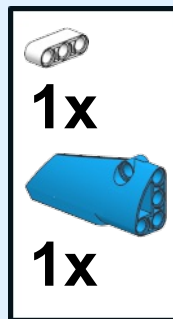
1

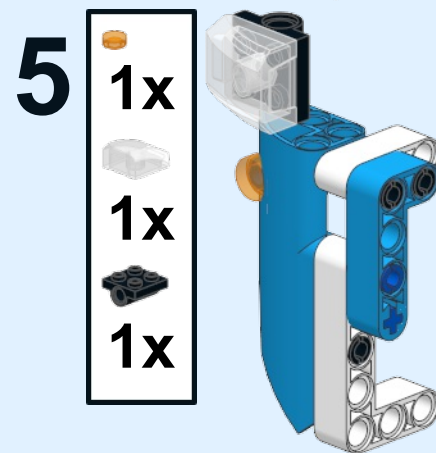
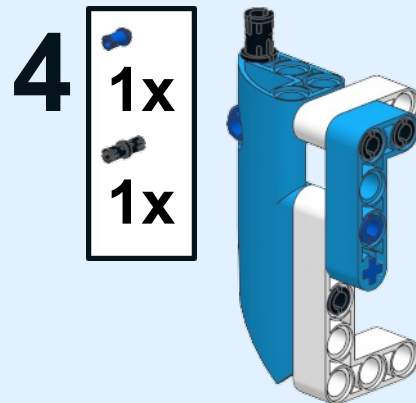


2

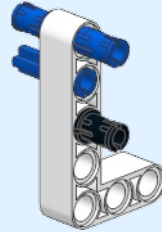
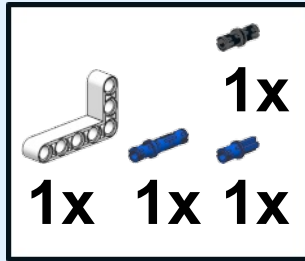


3

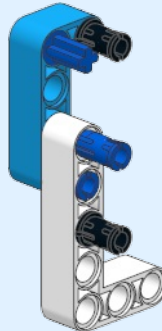
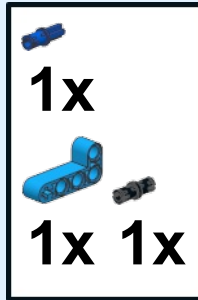




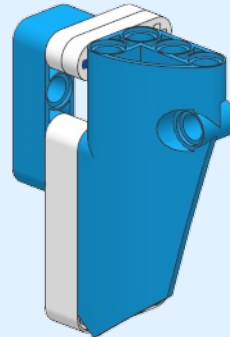
1

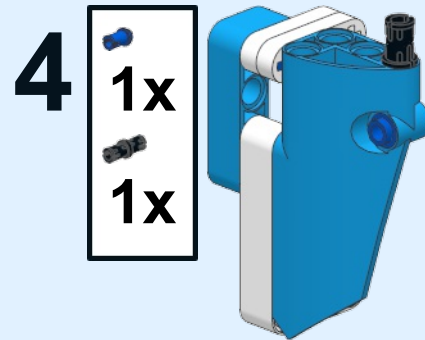


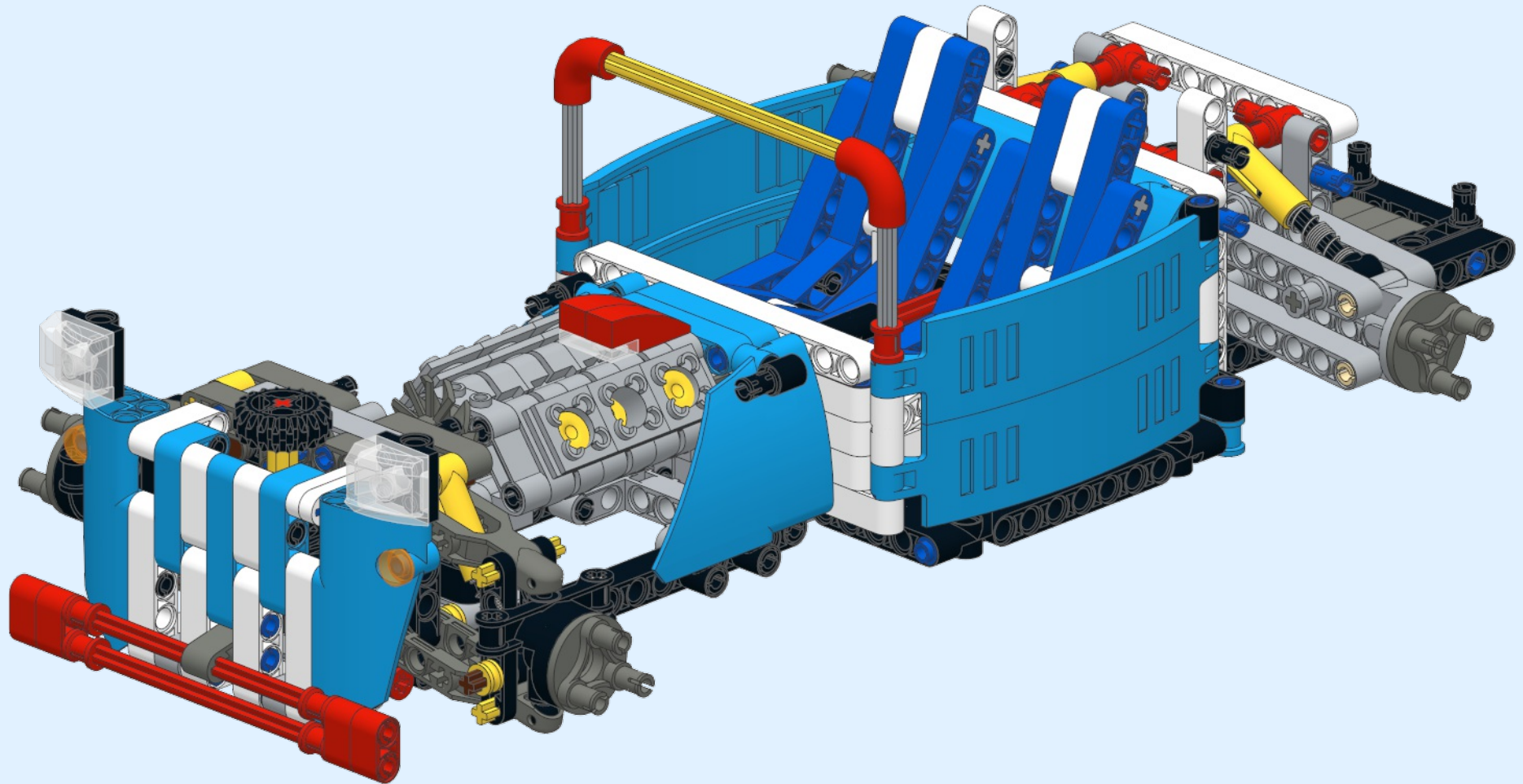
2

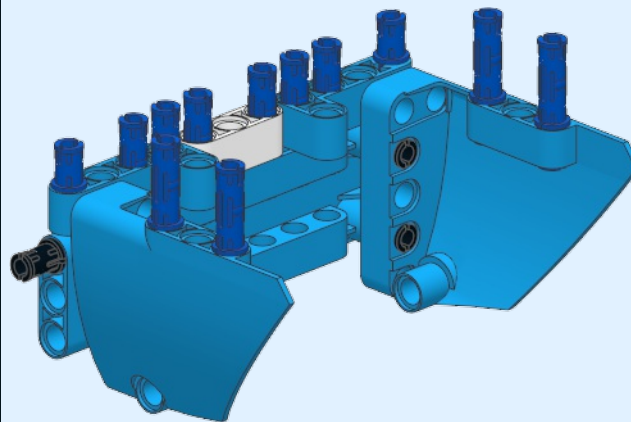
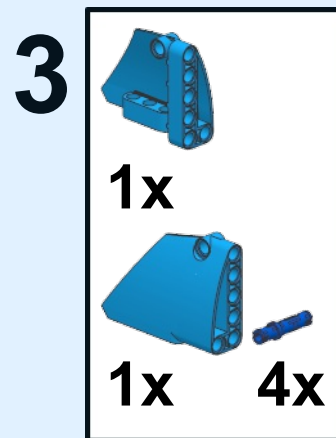
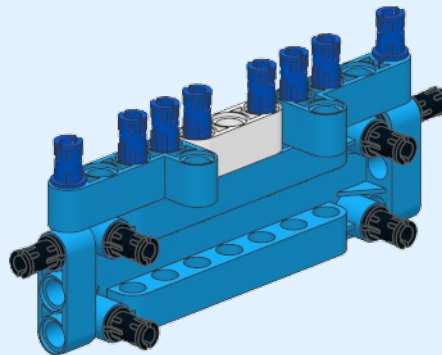
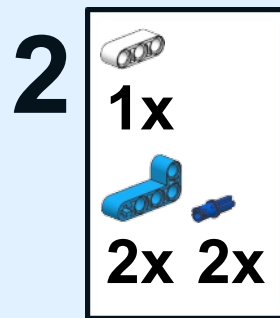
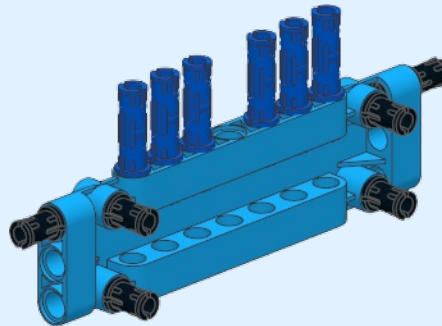
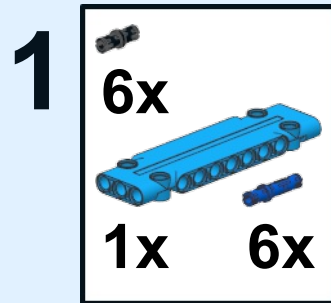


3


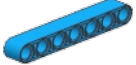


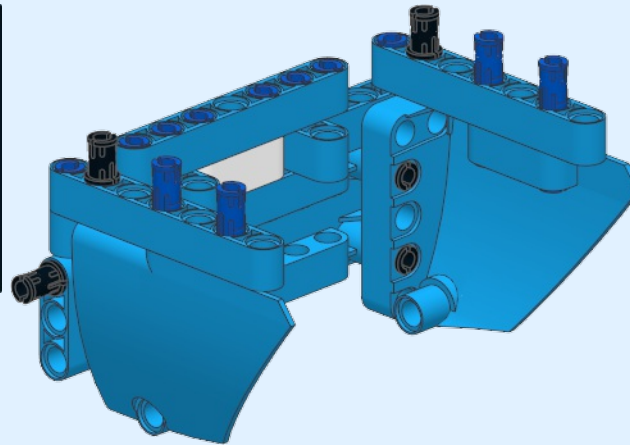





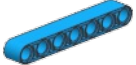


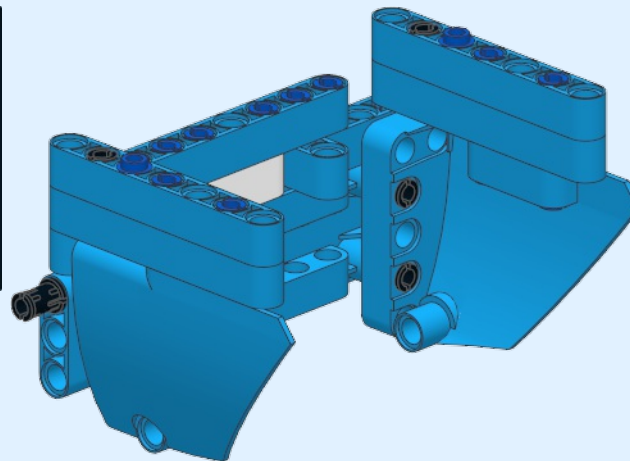
4

	2x
	3x

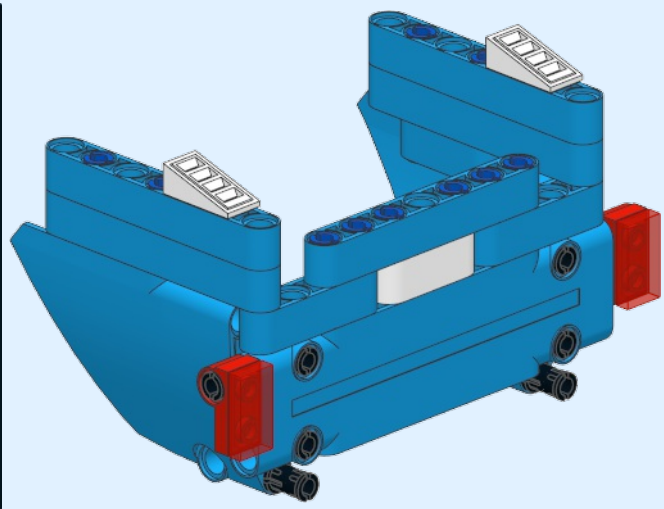


5

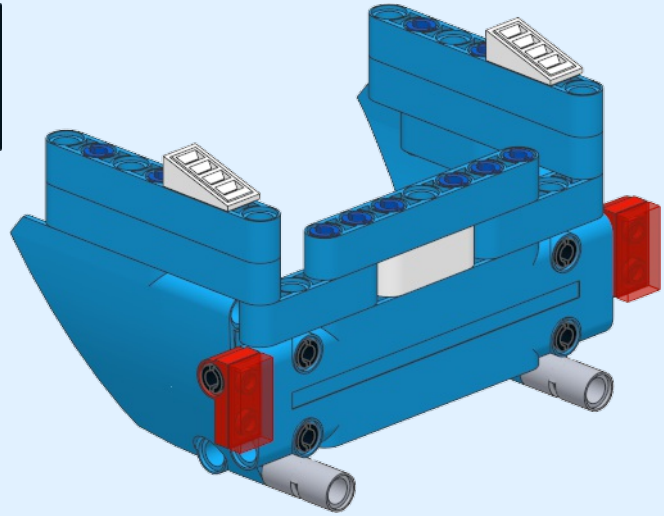
	2x
	2x

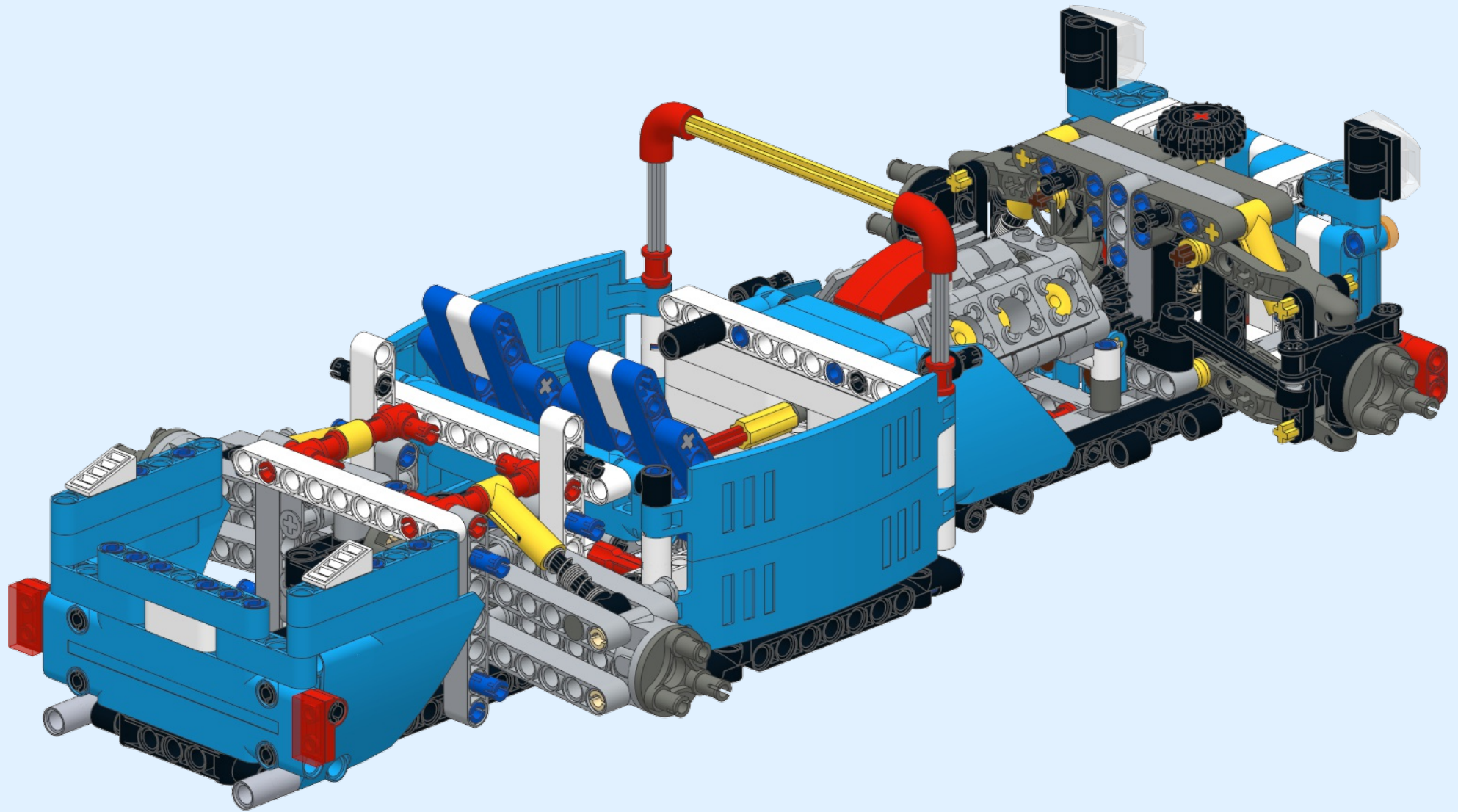


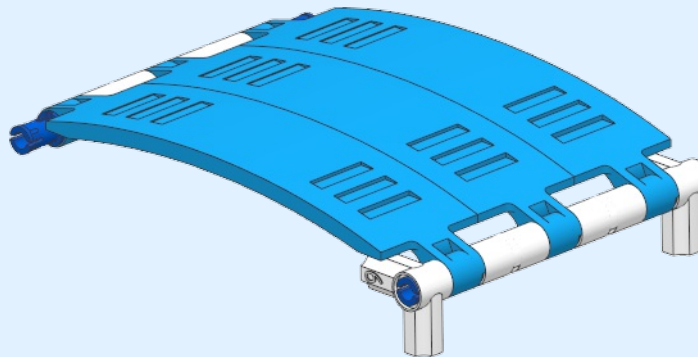
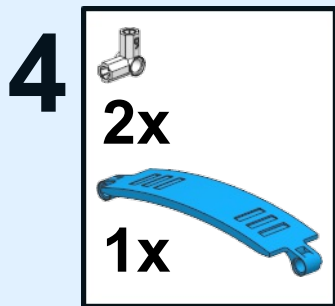
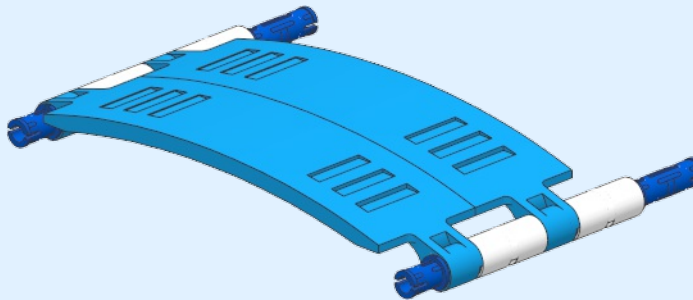
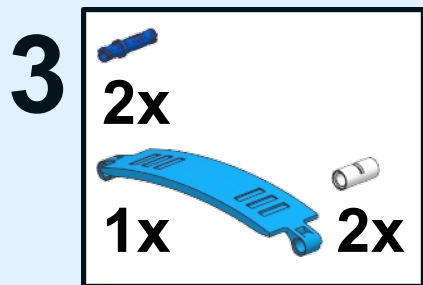
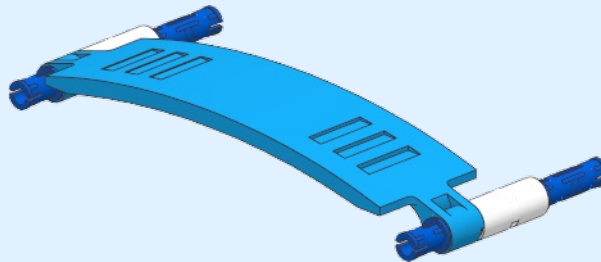
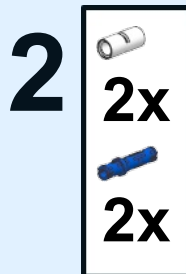
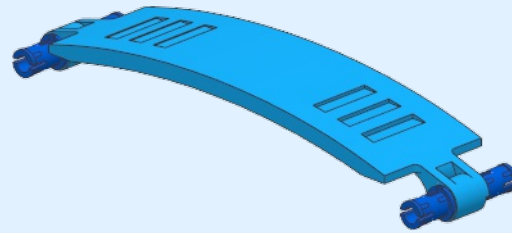
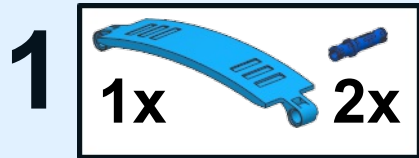
- 6**
-  2x
 -  2x
 -  2x
 -  2x

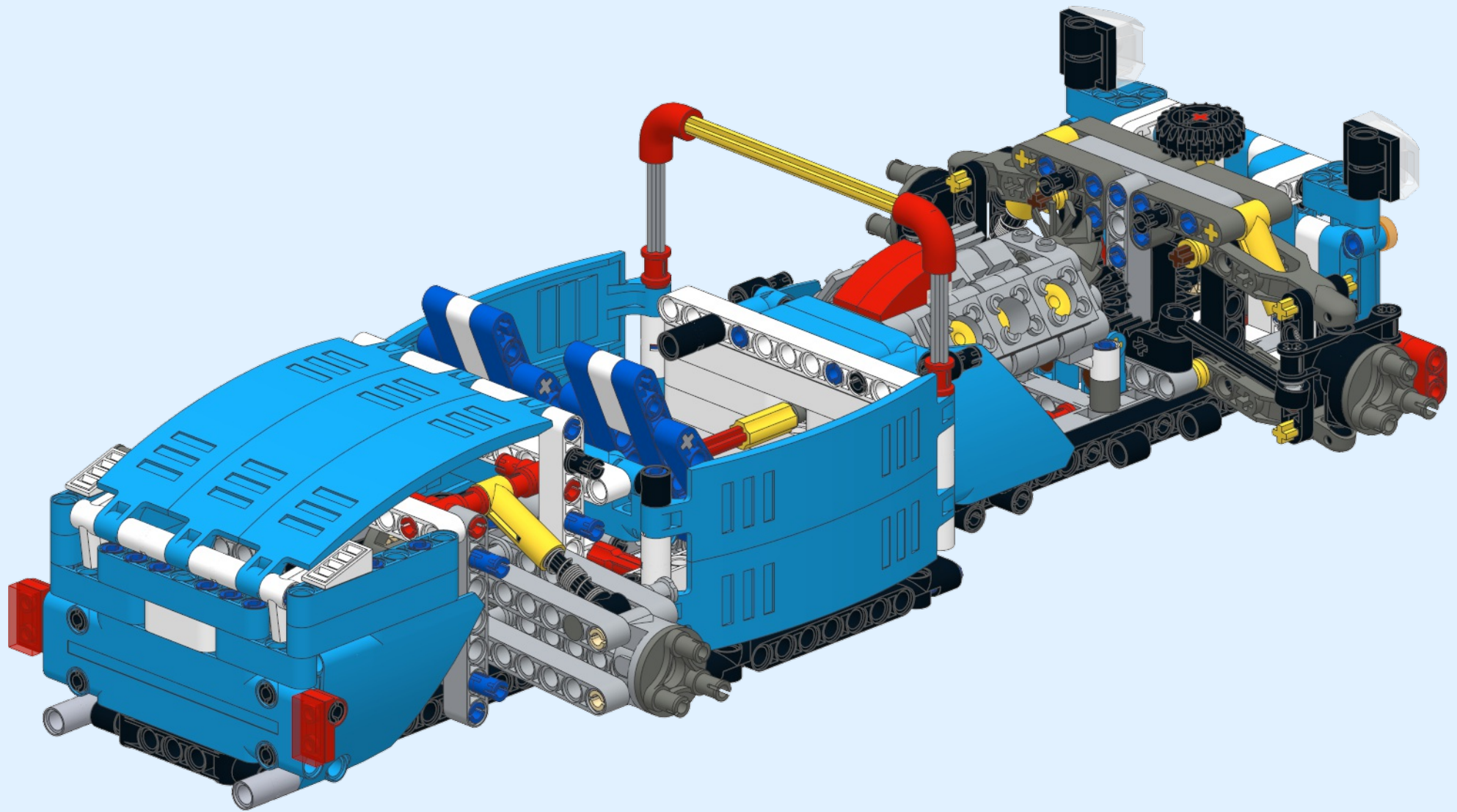


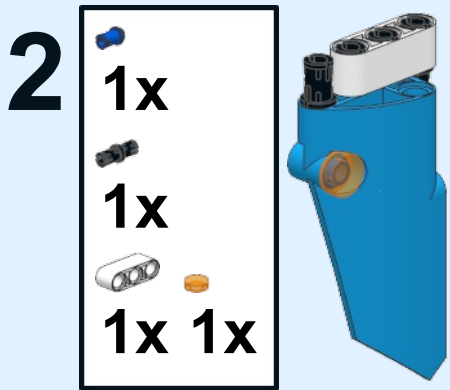
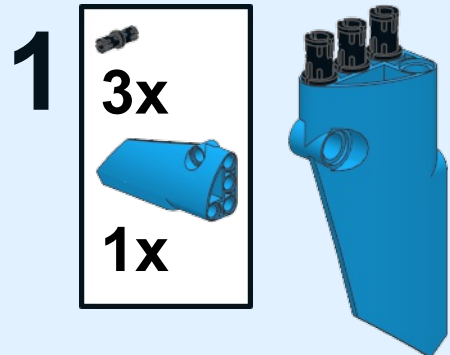
- 7**
-  2x






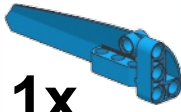


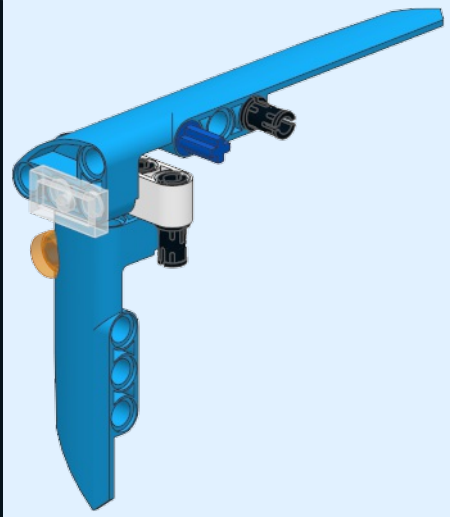






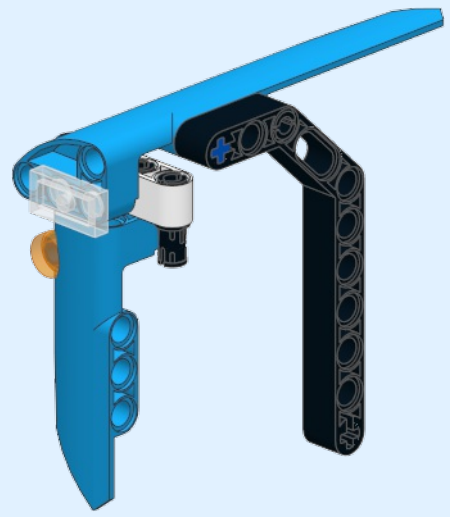
3

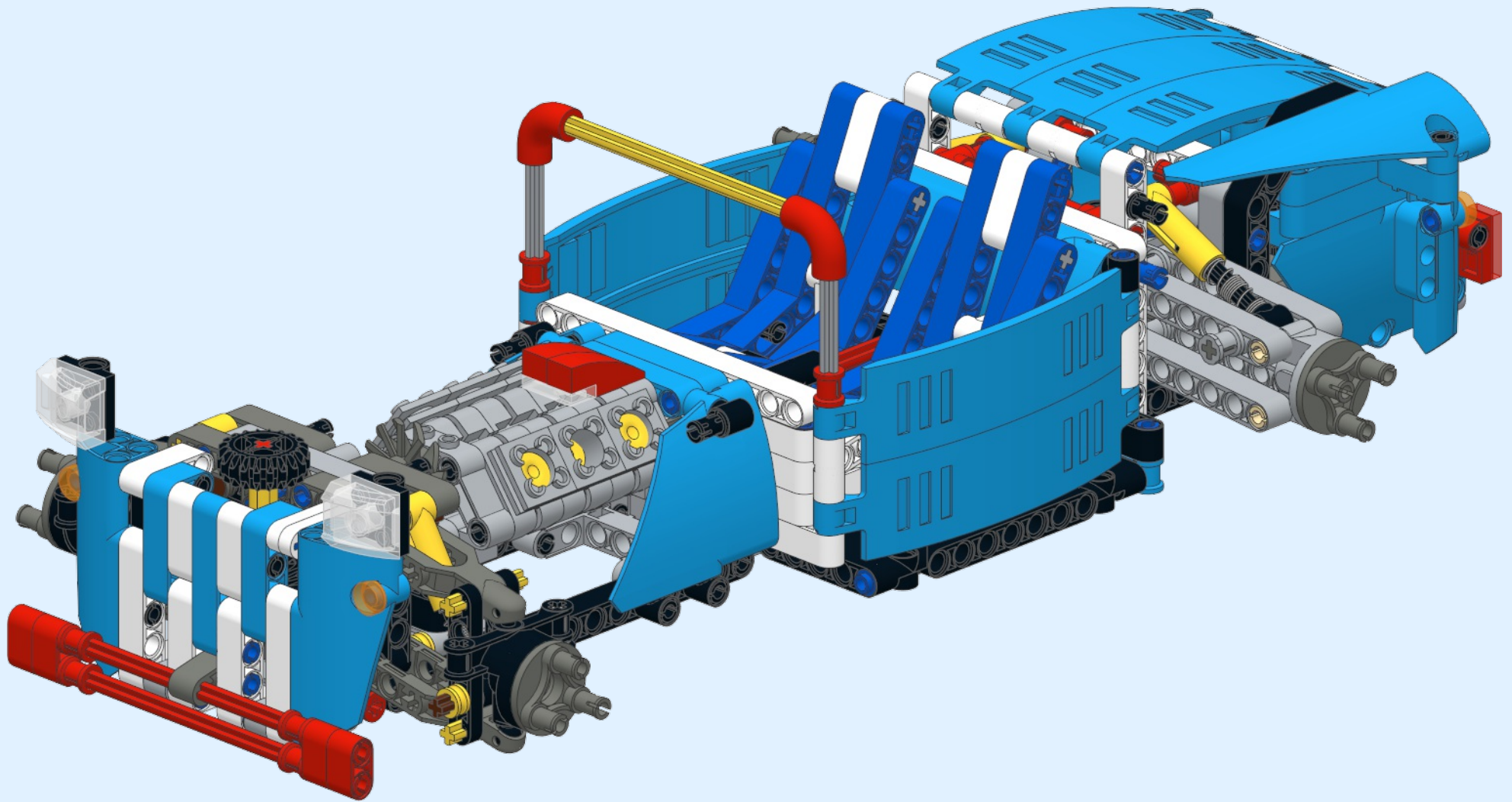
-  1x
-  1x
-  1x
-  1x





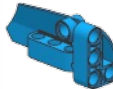

4

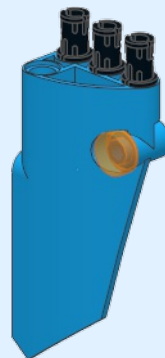
-  1x










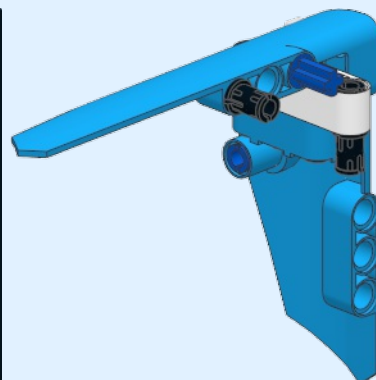
1

	3x		1x
	1x		1x
1x		1x	




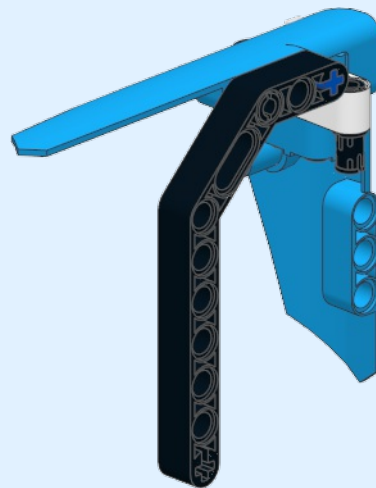
2

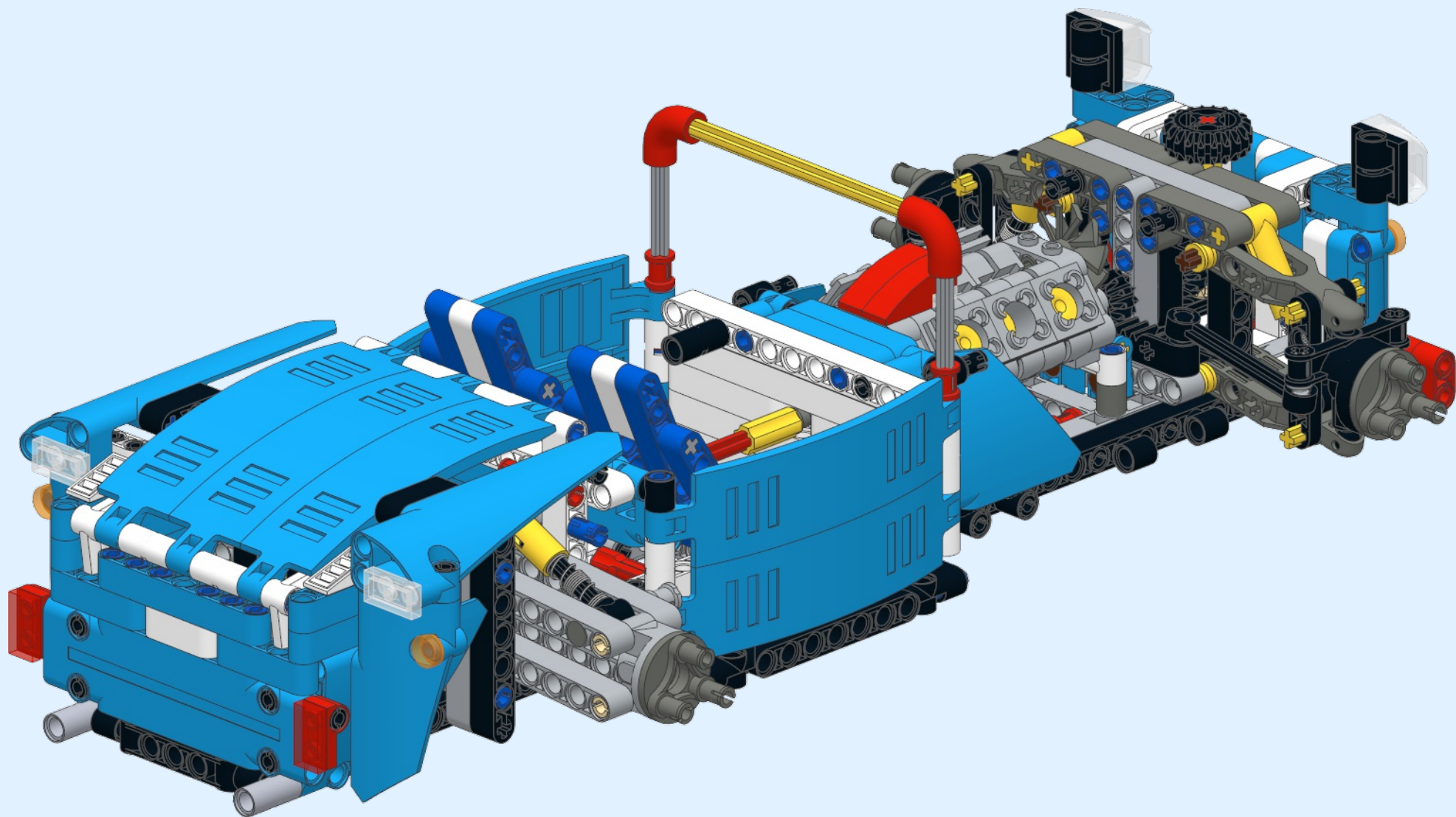
	1x		1x
	1x		2x
1x			1x



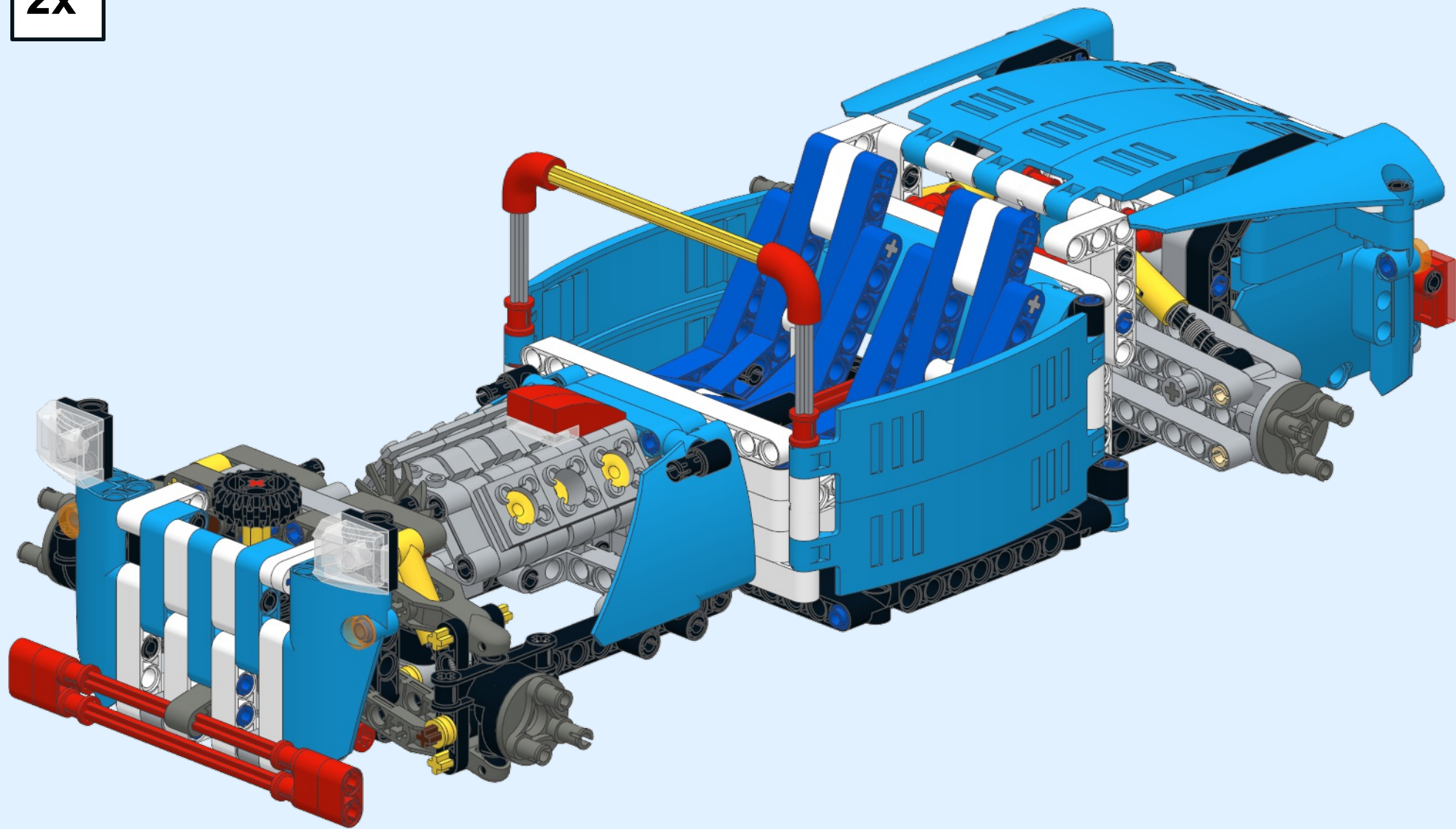
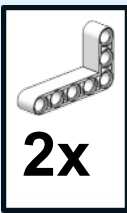
3

	1x
--	-----------






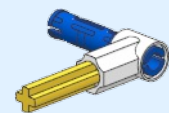
28



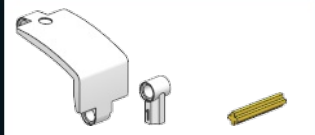
1



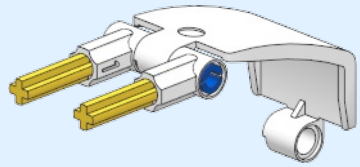
1x 1x 1x




2



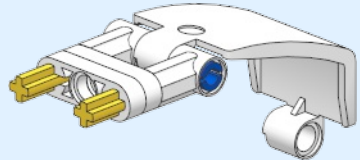
1x 1x 1x



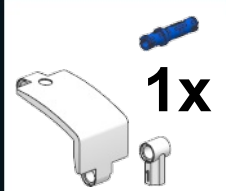
3



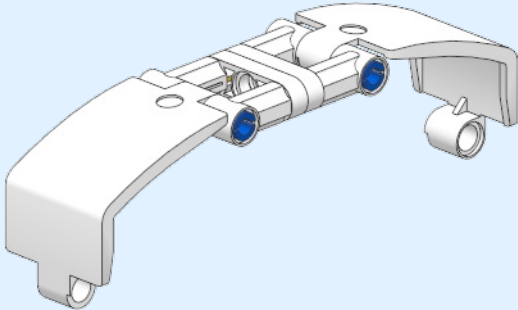
2x



4



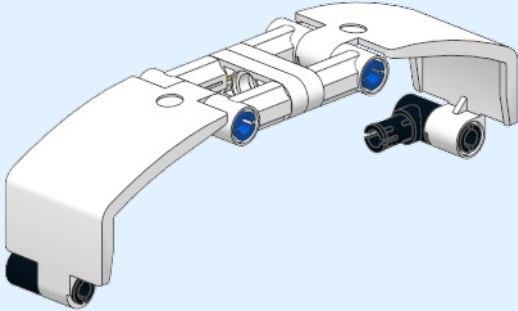
1x 1x
1x 2x

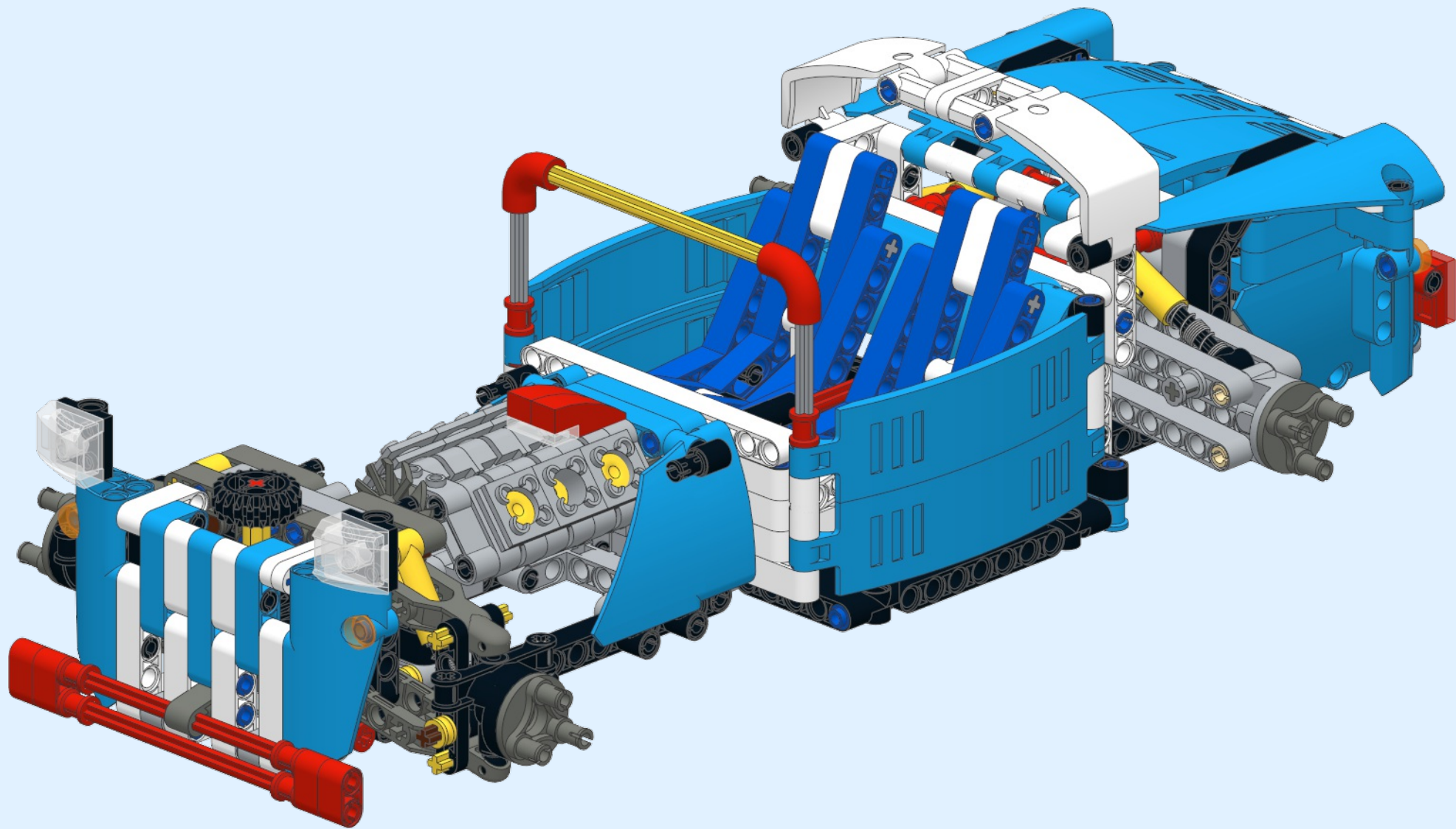


5

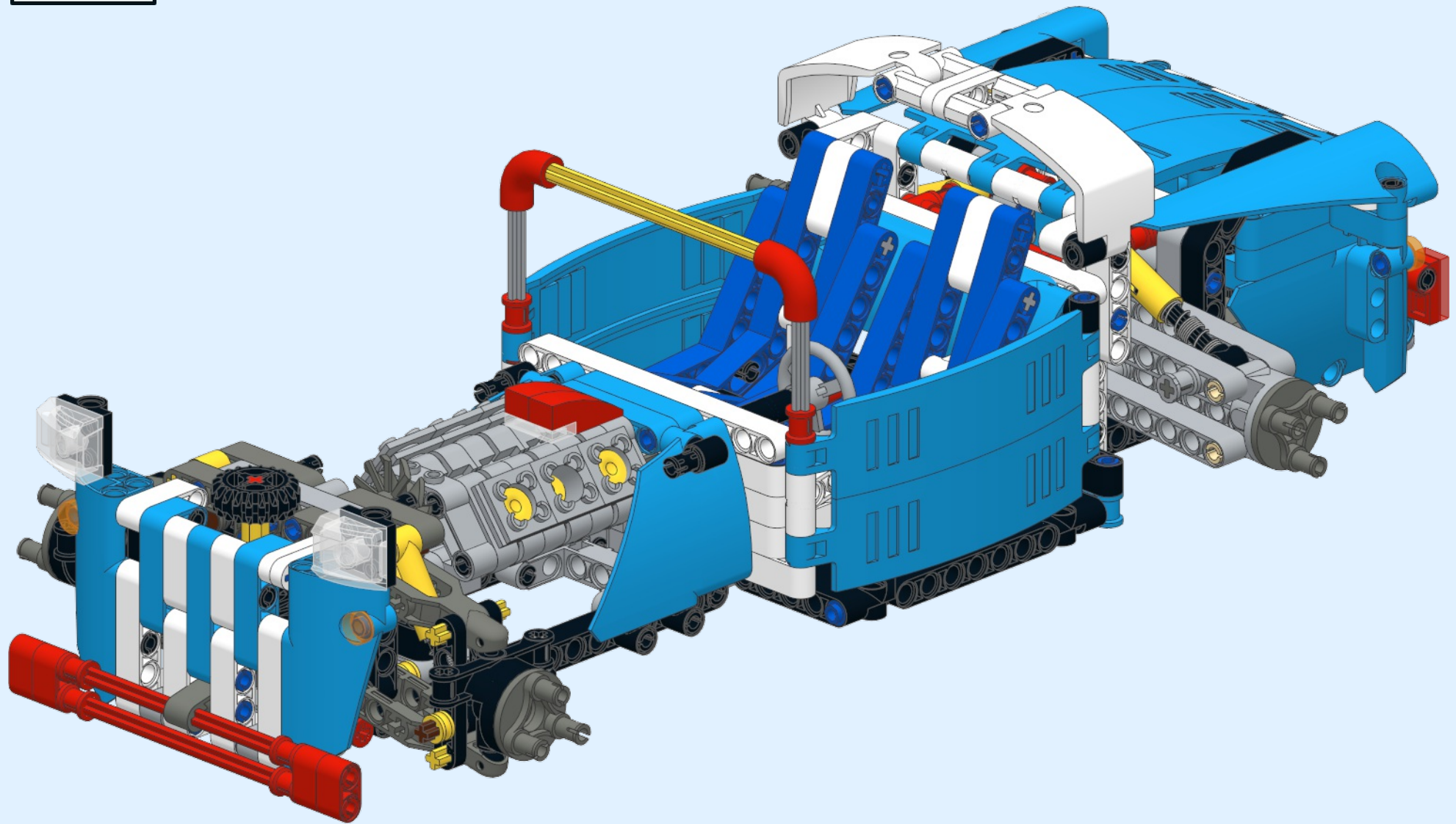
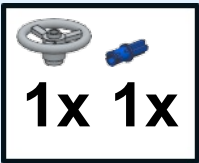


2x
2x

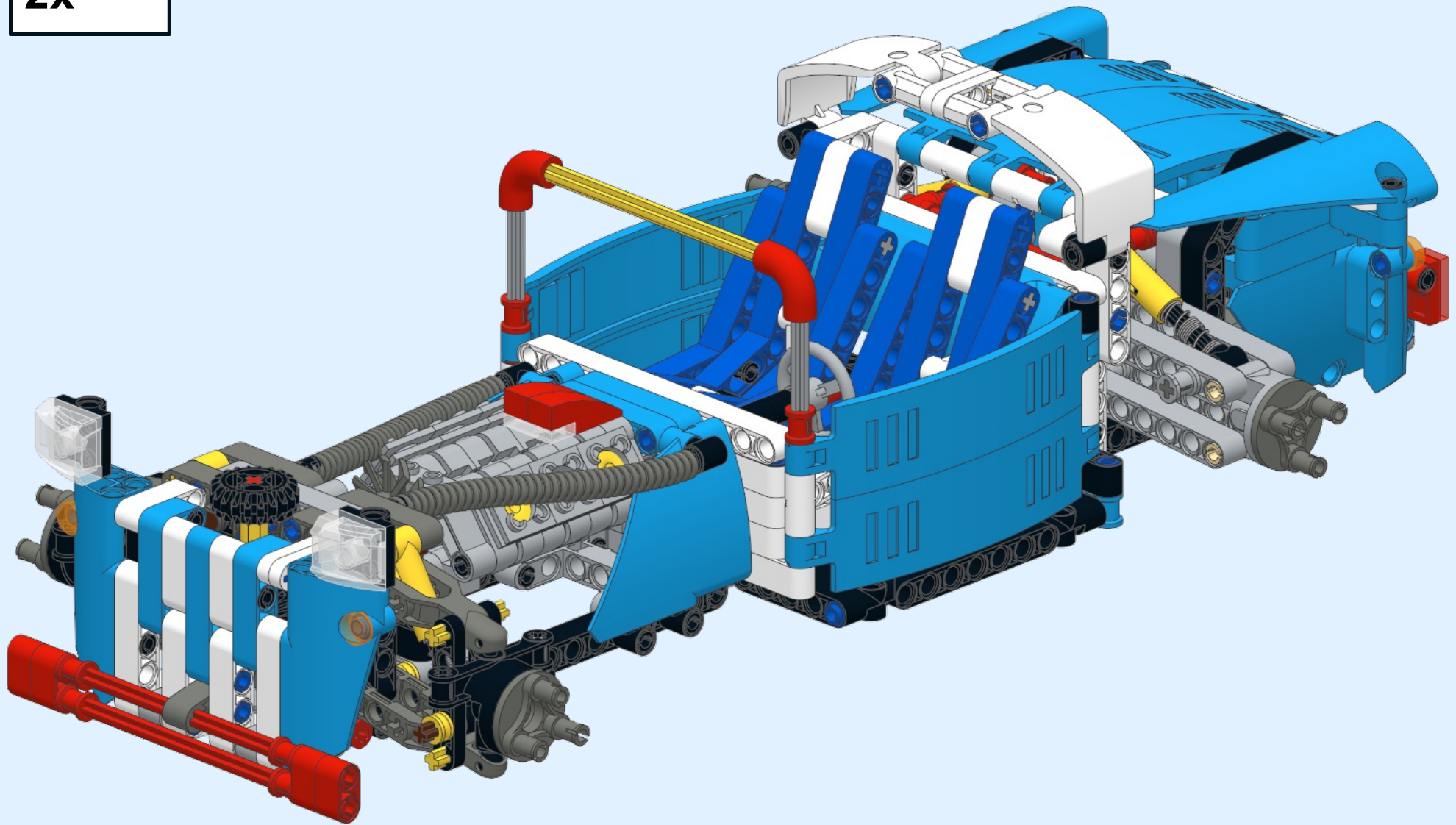
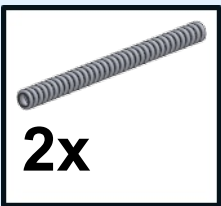


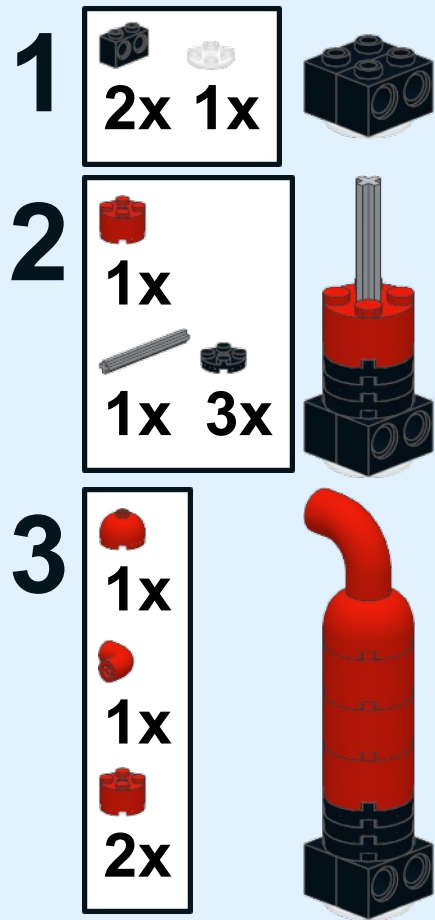


30

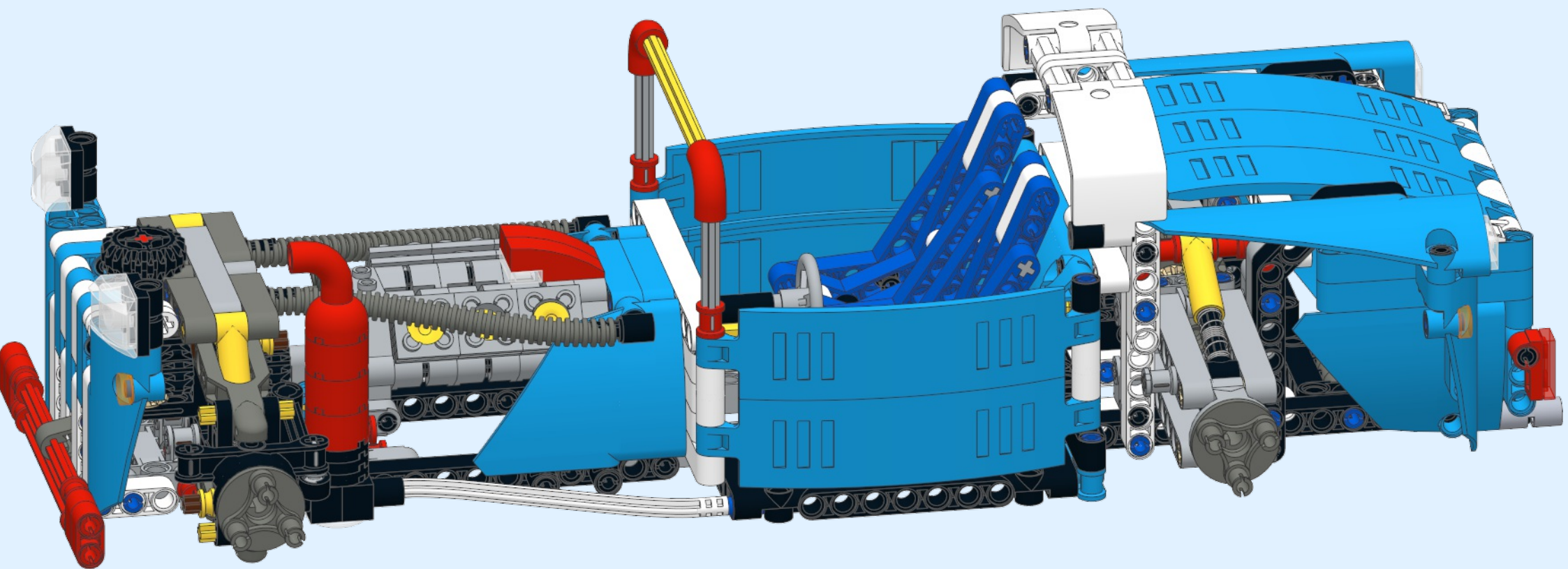


31

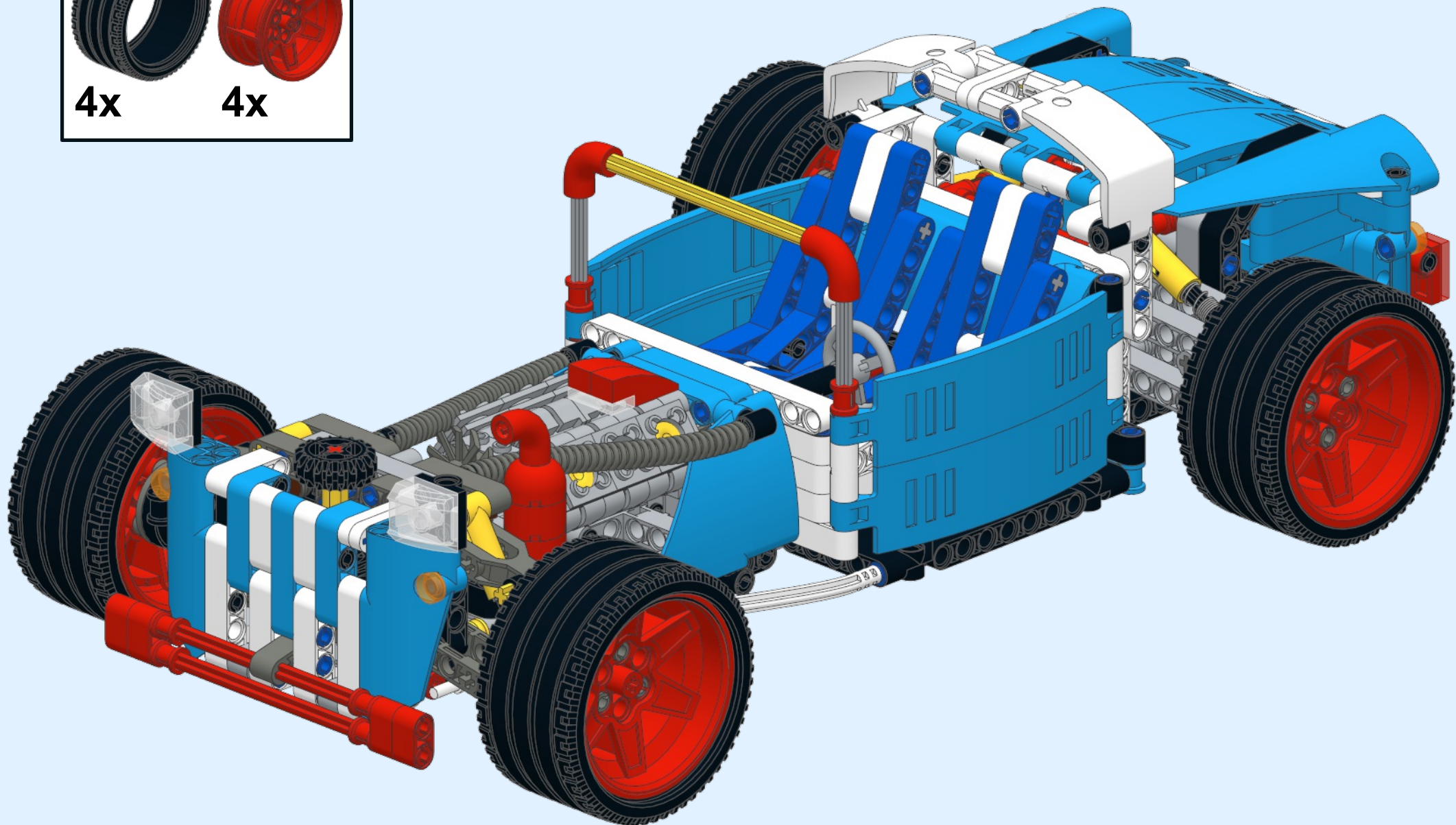
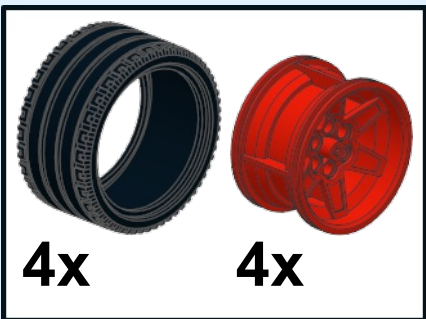


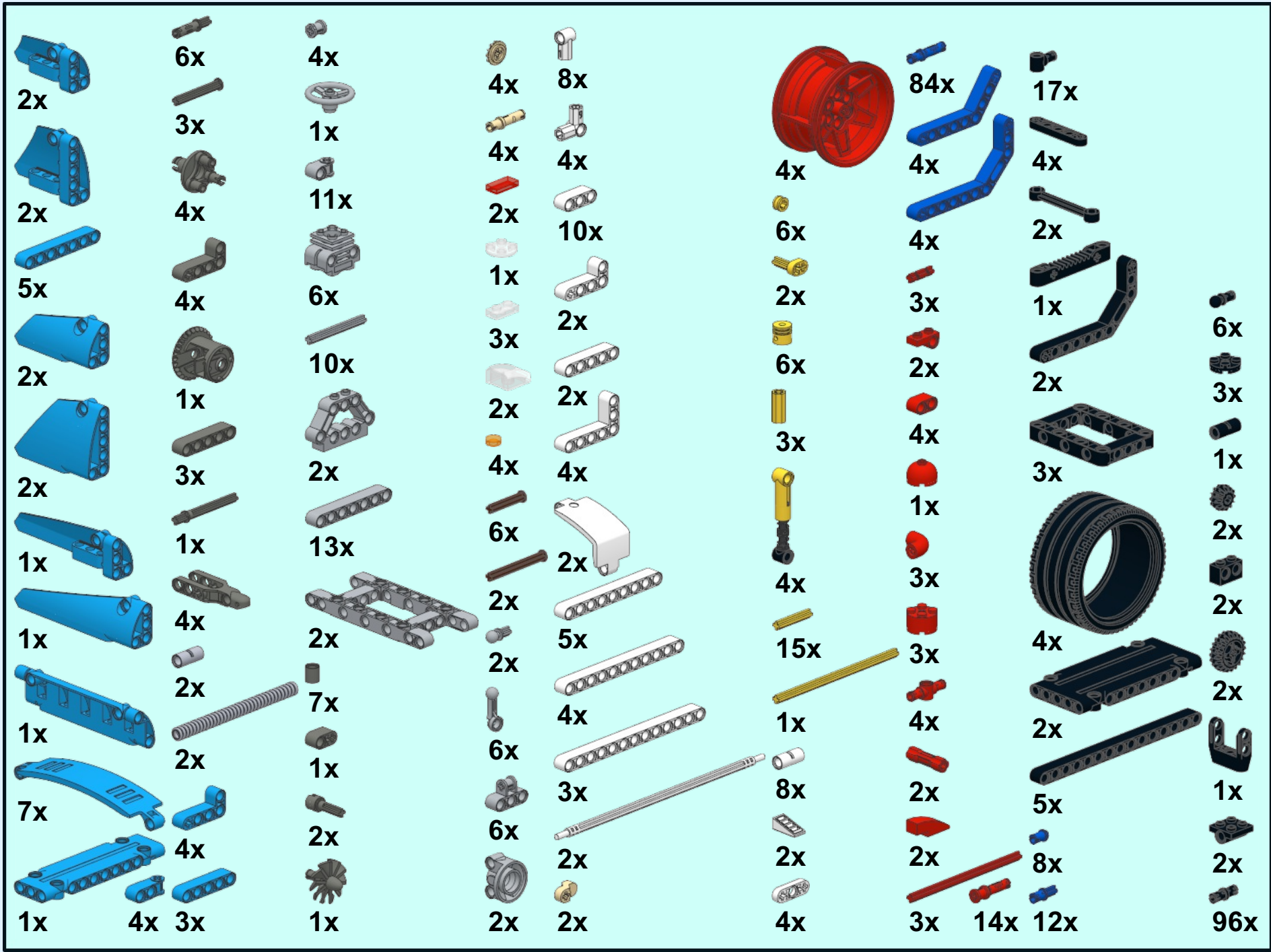


32



33





Thank you for building this model

This is an original creation by Alexis Vilvert

<http://lego.vilvert.fr>

Those instructions are free of use and may not be sold or redistributed without authorization of their author.

Create new Lego Technic models and offer original instructions for free cost a lots of money. Any donations are welcome and will help for the upcoming models.

